

This document is the property of Nian-Yeong Corporation and is delivered on the express condition that it is not to be disclosed, reproduced or used, in whole or in part, for manufacture or sale by anyone other than Nian-Yeong Corporation without its prior consent, and that no right is granted to disclose or to use any information in this document.

CUSTOMER DRAWING

REV.	DESCRIPTION	APPROVED BY	DATE	ECN NO.
A	RELEASE	Ku Chou	04/03/20*	
B				
C				

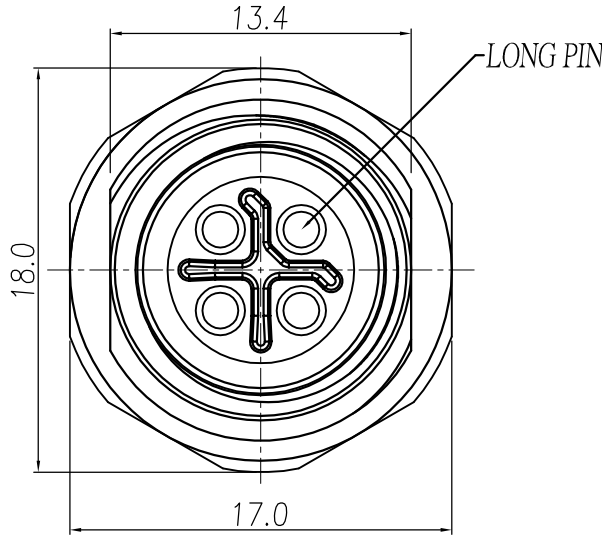
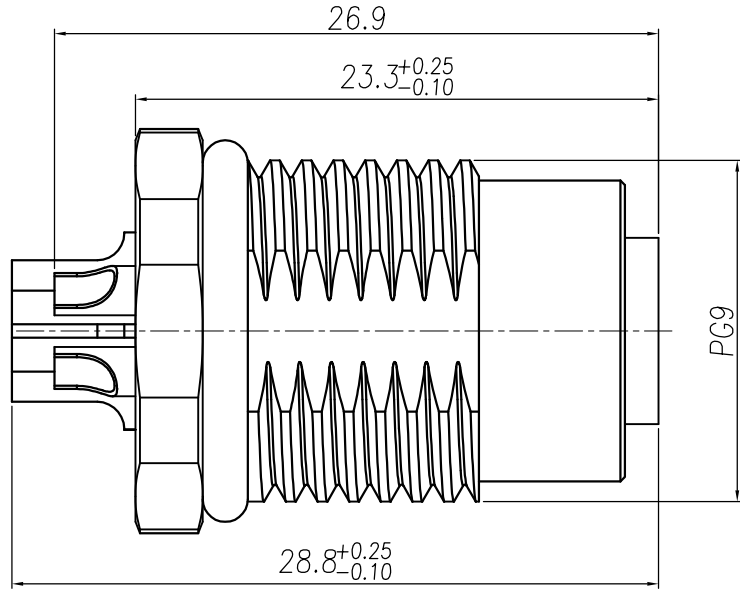
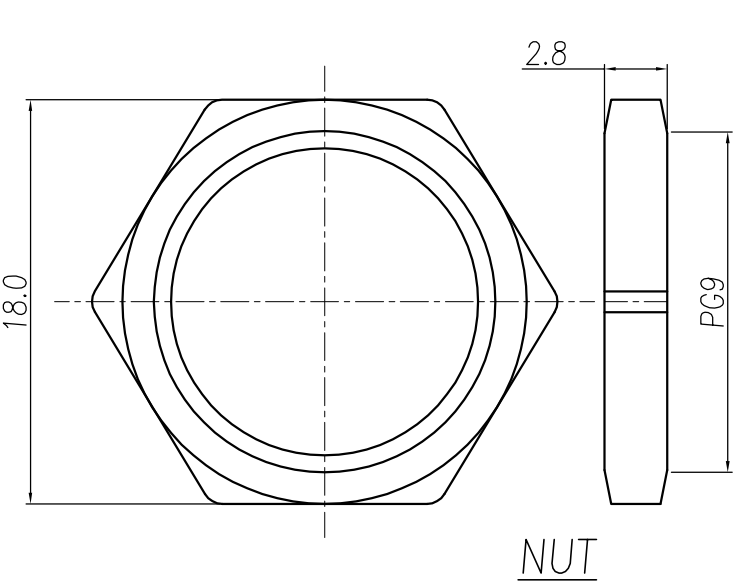
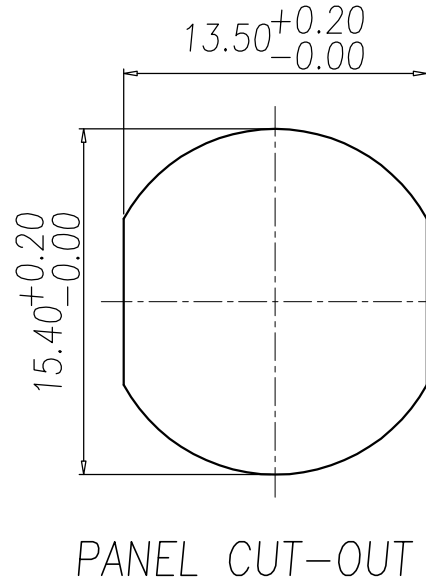


Table A

WP-04F2-256-11	WP-03F2-145-11



NUT



PANEL CUT-OUT

- MATERIAL :
 - HOUSING : PA66 UL94V-0 ; COLOR : BLACK
 - CONTACT : BRASS
 - SHELL : BRASS
 - O-RING : EPDM
 - NUT : BRASS
- FINISH :
 - CONTACT : 10u" MIN. GOLD PLATED
UNDER PLATE : NICKEL
 - SHELL : NICKEL PLATED
 - NUT : NICKEL PLATED
- ELECTRICAL SPECIFICATION :
 - Rated current : 12A
 - Rated Voltage : 630V
 - Water proof: IP67/68
- Environmental :
 - Operation Temperature : -40°C~105°C

DRAWN	Emily Suen	APP'D	Ku Chou	UNIT	mm	TOLERANCE		TITLE	M12 S-CODING (F) 前鎖板(PG9) 焊線式			SHEET
CHK'D	Ku Chou			SCALE	1:1	.x ±0.20 .xx ±0.10 .xxx ±0.05 .xxxx ±0.03 ANGULA ±1°		PART NO.	SEE TABLE A	DWG NO.	QC9606	VERSION

NIAN YEONG ENTERPRISE
年永實業有限公司