

This document is the property of Nian-Yeong Corporation and is delivered on the express condition that it is not to be disclosed, reproduced or used, in whole or in part, for manufacture or sale by anyone other than Nian-Yeong Corporation without its prior consent, and that no right is granted to disclose or to use any information in this document.

CUSTOMER DRAWING

REV.	DESCRIPTION	APPROVED BY	DATE	ECN NO.
A	RELEASE	Fido Weng	30/05/13*	
B	ADD PART NO.	Ku	26/04/19*	
C				

1. MATERIAL :
  - 1-1. HOUSING : SEE TABLE A ; COLOR : BLACK
  - 1-2. CONTACT : BRASS
  - 1-3. NUT : SEE TABLE A
  - 1-4. SHELL : SEE TABLE A
  - 1-5. O-RING : EDPM ; COLOR : BLACK
2. FINISH :
  - 2-1. CONTACT : SEE TABLE A  
UNDER PLATE : NICKEL
  - 2-2. NUT : SEE TABLE A
  - 2-3. SHELL : SEE TABLE A
3. ELECTRICAL SPECIFICATION :
  - 3-1. Rated current : 4A
  - 3-2. Rated voltage : 3~4PIN 250V ; 5PIN 60V
  - 3-3. Water proof : IPX7
4. Environmental :
  - 4-1. Operation Temperature : -40℃~85℃

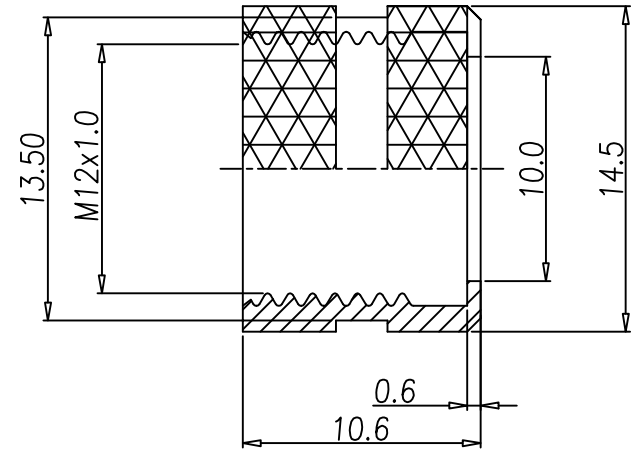
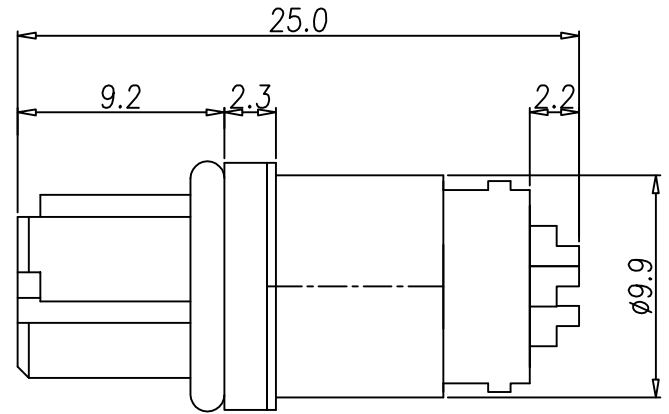
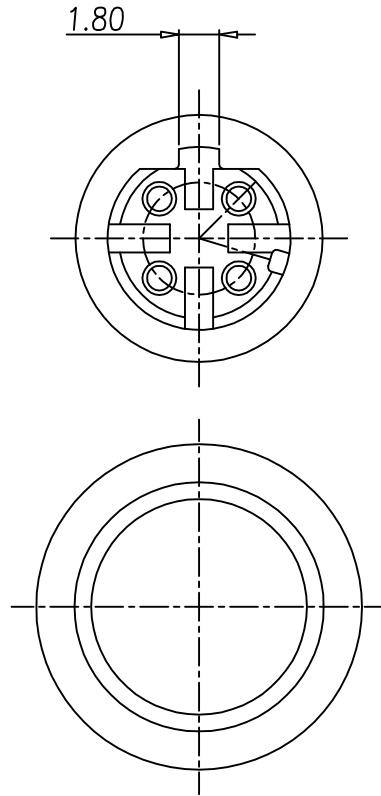


TABLE A A B

5PIN	4PIN	3PIN
WP-05F2-79-11	WP-04F2-105-11 WP-04F2-158-11 WP-04F2-221-11 WP-04F2-287-11 WP-04F2-269-11 WP-04F2-270-11	WP-03F2-37-11

WP-04F2-269-11	TPU	STAINLESS STEEL 316	-	STAINLESS STEEL 316	-	10u" GOLD PLATED
WP-04F2-270-11	TPU	BRASS	NICKEL PLATED	STAINLESS STEEL 316	-	10u" GOLD PLATED
WP-04F2-287-11	PBT	BRASS	NICKEL PLATED	BRASS	NICKEL PLATED	GOLD FLASH PLATED
WP-04F2-221-11	PBT	BRASS	NICKEL PLATED	BRASS	NICKEL PLATED	10u" GOLD PLATED
WP-05F2-79-11	TPU	BRASS	NICKEL PLATED	BRASS	NICKEL PLATED	10u" GOLD PLATED
WP-04F2-105-11	TPU	BRASS	NICKEL PLATED	BRASS	NICKEL PLATED	10u" GOLD PLATED
WP-04F2-158-11	TPU	BRASS	NICKEL PLATED	BRASS	NICKEL PLATED	GOLD FLASH PLATED
WP-03F2-37-11	TPU	BRASS	NICKEL PLATED	BRASS	NICKEL PLATED	10u" GOLD PLATED
PART No.	MATERIAL(HOUSING)	MATERIAL(SHELL)	FINISH(SHELL)	MATERIAL(NUT)	FINISH(NUT)	FINISH(CONTACT)

DRAWN	Ku Chou	APPEND	Fido Weng	UNIT	mm	TOLERANCE				TITLE	防水頭 (F) D-code線端焊線式+接地			SHEET	1
CHOKED	Emily Suen			SCALE	1:1	.x ±0.20 .xx ±0.10 .xxx ±0.05 .xxxx ±0.03 ANGULA ±1°				PART NO.	SEE TABLE A	DWG NO.	QC6204	VERSION	2

NIAN YEONG ENTERPRISE  
年永實業有限公司