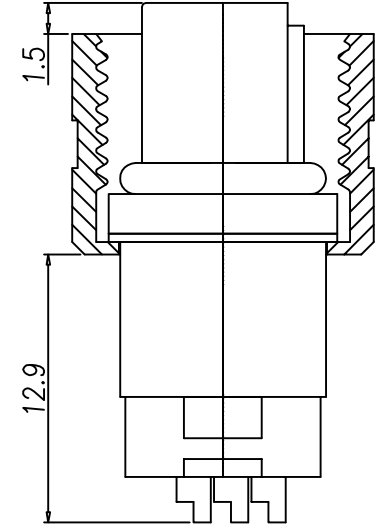
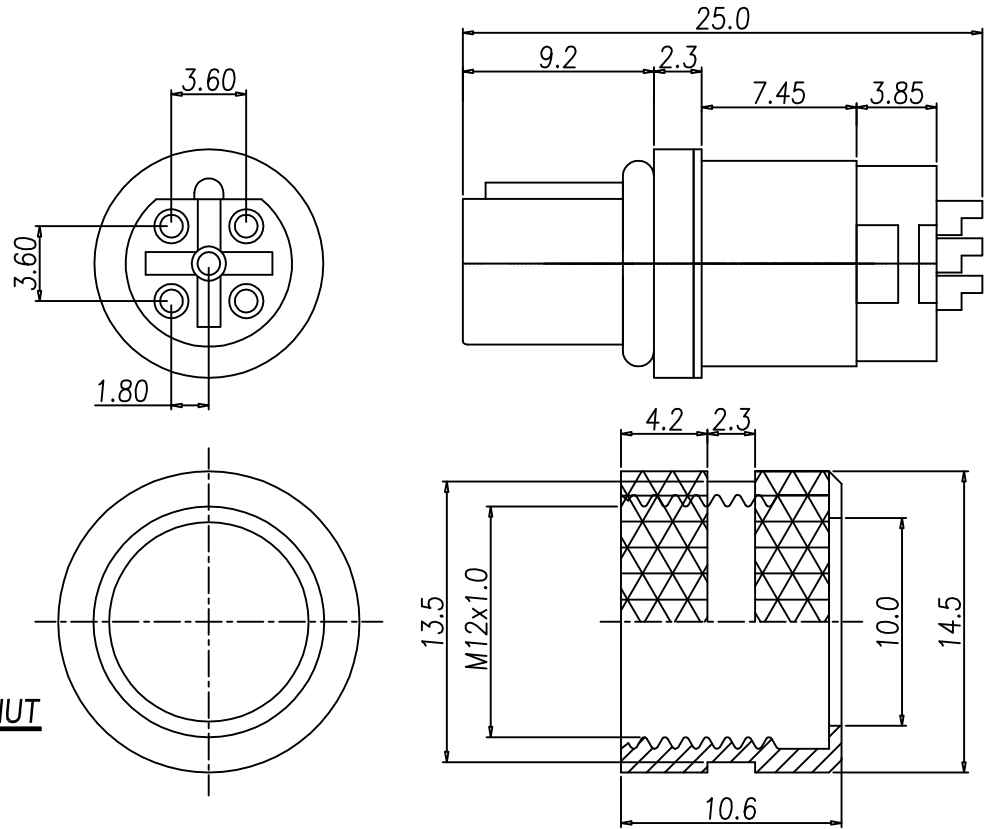


This document is the property of Nian-Yeong Corporation and is delivered on the express condition that it is not to be disclosed, reproduced or used, in whole or in part, for manufacture or sale by anyone other than Nian-Yeong Corporation without its prior consent, and that no right is granted to disclose or to use any information in this document.

CUSTOMER DRAWING

REV.	DESCRIPTION	APPROVED BY	DATE	ECN NO.
A	RELEASE	Fido Weng	14/10/19*	
B				
C				



- MATERIAL :
 - HOUSING : PBT UL94V-0 ; COLOR : BLACK
 - CONTACT : BRASS
 - NUT : BRASS
 - SHELL : BRASS
 - O-RING : EDPM
- FINISH :
 - CONTACT : SEE TABLE A
 - NUT : NICKEL PLATED
 - SHELL : NICKEL PLATED
- ELECTRICAL SPECIFICATION :
 - Rated current : 4A
 - Rated voltage : 2~4PIN 250V ; 5PIN 60V
 - Water proof: IPX7
- Environmental :
 - Operation Temperature : -40℃~85℃

TABLE A

	5P	4P	3P	3P	2P	2P
GOLD FLASH	WP-05F2-189-11	WP-04F2-246-11	WP-03F2-132-11	WP-03F2-133-11	WP-02F2-74-11	WP-02F2-75-11
GOLD 10u"	WP-05F2-190-11	WP-04F2-247-11	WP-03F2-134-11	WP-03F2-135-11	WP-02F2-76-11	WP-02F2-77-11
FINISH	PART NO					

DRAWN	Ku Chou	APPEND	Emily Suen	UNIT	mm	TOLERANCE			TITLE	M12-(F)防水頭線端B-CODE(長膠芯+接地)			SHEET	
CHOKED	Emily Suen			SCALE	1:1	.x ±0.20 .xx ±0.10 .xxx ±0.05 .xxxx ±0.03 ANGULA ±1°			PART NO.	SEE TABLE A	DWG NO.	QC9440	VERSION	

NIAN YEONG ENTERPRISE
年永實業有限公司