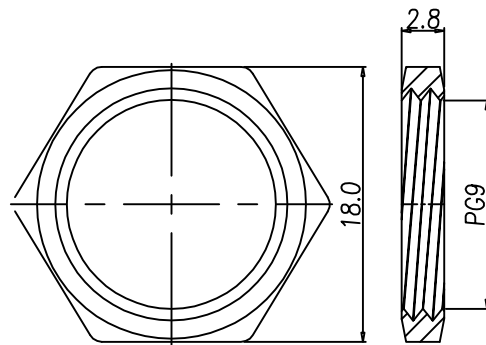
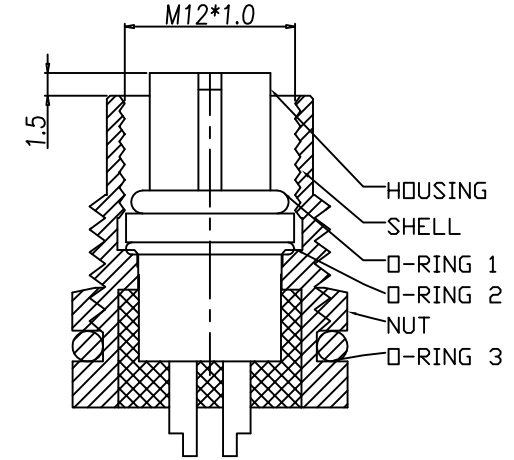
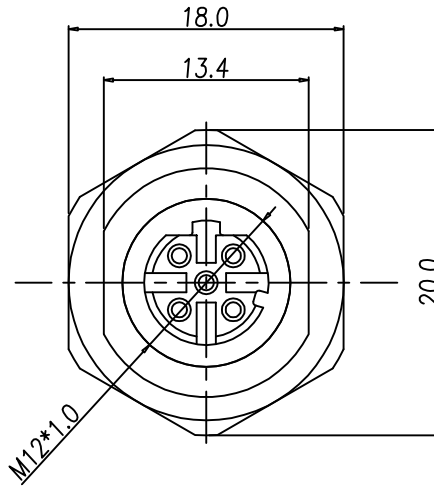
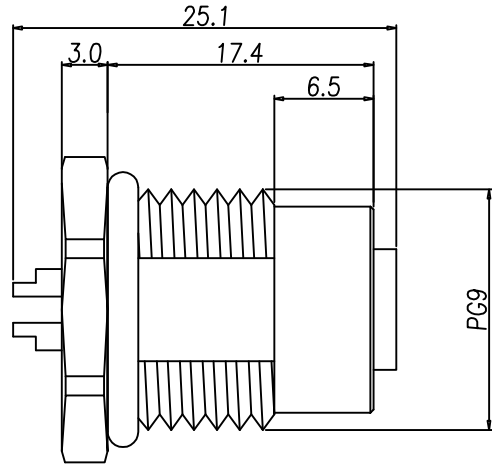


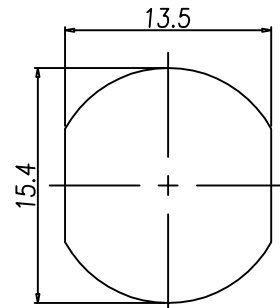
This document is the property of Nian-Yeong Corporation and is delivered on the express condition that it is not to be disclosed, reproduced or used, in whole or in part, for manufacture or sale by anyone other than Nian-Yeong Corporation without its prior consent, and that no right is granted to disclose or to use any information in this document.

CUSTOMER DRAWING

REV.	DESCRIPTION	APPROVED BY	DATE	ECN NO.
A	RELEASE	Yeh Chou	2012/11/22	
B				
C				
D				



NUT



RECOMMEND PANEL CUT-OUT

TABLE A

5PIN		4PIN	
WP-05F2-126-11		GOLD 10u"	
WP-04F2-160-11		GOLD FLASH	
WP-04F2-84		GOLD 10u"	
PART NO		FINISH	

- MATERIAL :
 - 1-1. HOUSING : PBT UL94V-0 ; COLOR : BLACK
 - 1-2. CONTACT : BRASS
 - 1-3. NUT : BRASS
 - 1-4. SHELL : BRASS
 - 1-5. O-RING 1 : EPDM
 - 1-6. O-RING 2 : SILICONE
 - 1-7. O-RING 3 : EPDM
- FINISH :
 - 2-1. CONTACT : SEE TABLE A
UNDER PLATE : NICKEL
 - 2-2. NUT : NICKEL PLATED
 - 2-3. SHELL : NICKEL PLATED
- ELECTRICAL SPECIFICATION :
 - 3-1. Rated current : 4A
 - 3-2. Rated Voltage : 4PIN 250V ; 5PIN 60V
 - 3-3. Water proof : IP67
- Environmental :
 - 4-1. Operation Temperature : -40°C~85°C

DRAWN	Yeh Chou	APPVL	Emily Suen	UNIT	mm	TOLERANCE			TITLE	防水頭 M12 D-code (F) 前鎖PG9 螺絲式(無滑槽)			SHEET	
CHK'D	Emily Suen			SCALE	1:1	.x ±0.20 .xx ±0.10 .xxx ±0.05 .xxxx ±0.03 ANGULA ±1°			PART NO.	SEE TABLE A	DWG NO.	QC5732	VERSION	

NIAN YEONG ENTERPRISE
年永實業有限公司