

This document is the property of Nian-Yeong Corporation and is delivered on the express condition that it is not to be disclosed, reproduced or used, in whole or in part, for manufacture or sale by anyone other than Nian-Yeong Corporation without its prior consent, and that no right is granted to disclose or to use any information in this document.

CUSTOMER DRAWING

REV.	DESCRIPTION	APPVL. BY	DATE	ECN NO.
A	RELEASE	Fido Weng	10/02/10*	
B				
C				

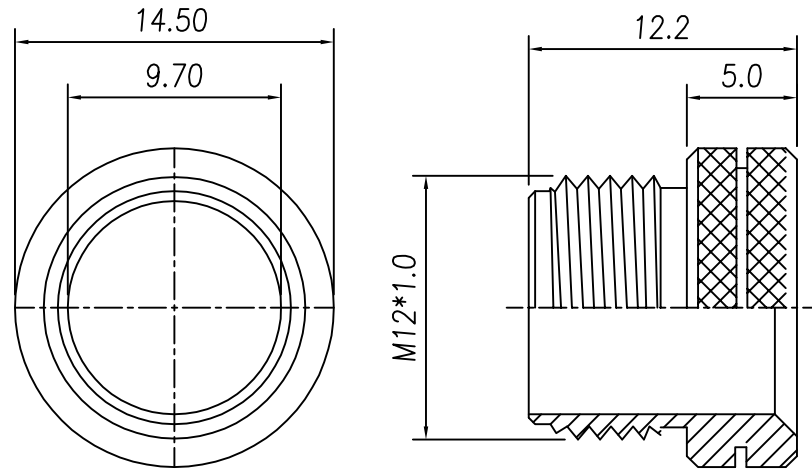
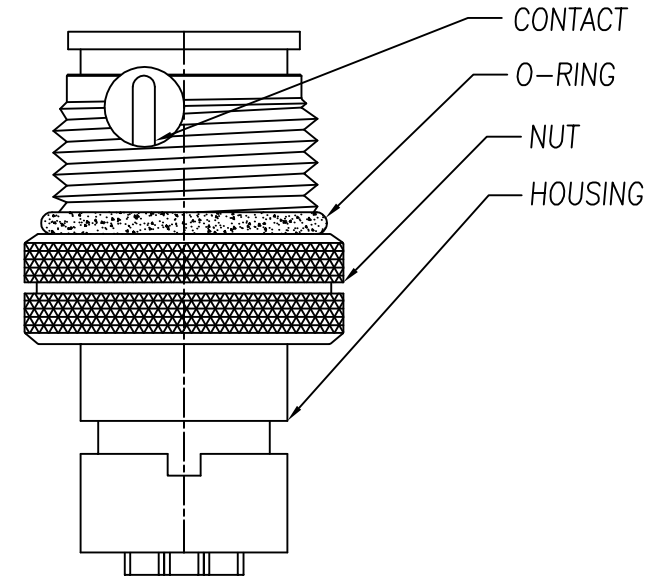
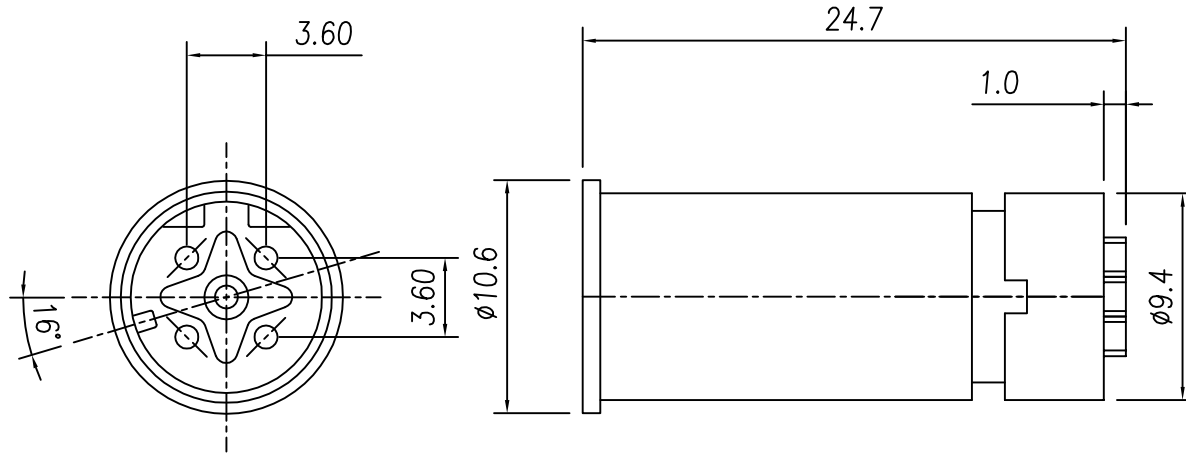


TABLE A

4PIN		5PIN	
WP-04M2-129-11	WP-04M2-22	WP-05M2-45	
WP-05M2-45		GOLD 10u"	
WP-04M2-129-11		GOLD FLASH	
WP-04M2-22		GOLD 10u"	
PART NO		FINISH	

- MATERIAL :
 - 1-1. HOUSING : PBT UL94V-0 ; COLOR : BLACK
 - 1-2. CONTACT : BRASS
 - 1-3. NUT : BRASS
 - 1-4. O-RING : EPDM
- FINISH :
 - 2-1. CONTACT : SEE TABLE A
 - 2-2. NUT : NICKEL PLATED 60u" ~ 100u" OVER ALL
- ELECTRICAL SPECIFICATION :
 - 3-1. Rated current : 4A
 - 3-2. Rated voltage : 2~4PIN 250V ; 5PIN 60V
 - 3-3. Water proof : IPX7
- Environmental :
 - 4-1. Operation Temperature : -20C~85C

DRAW	Ku Chou	APPVL	Emily Suen	UNIT	mm	TOLERANCE			TITLE	防水頭(M)D型線端			SHEET	
CHECK	Emily Suen			SCALE	1:1	.x ±0.20 .xx ±0.10 .xxx ±0.05 .xxxx ±0.03 ANGULA ±1°			PART NO.	SEE TABLE A	DWG NO.	QC4686	VERSION	

NIAN YEONG ENTERPRISE
年永實業有限公司