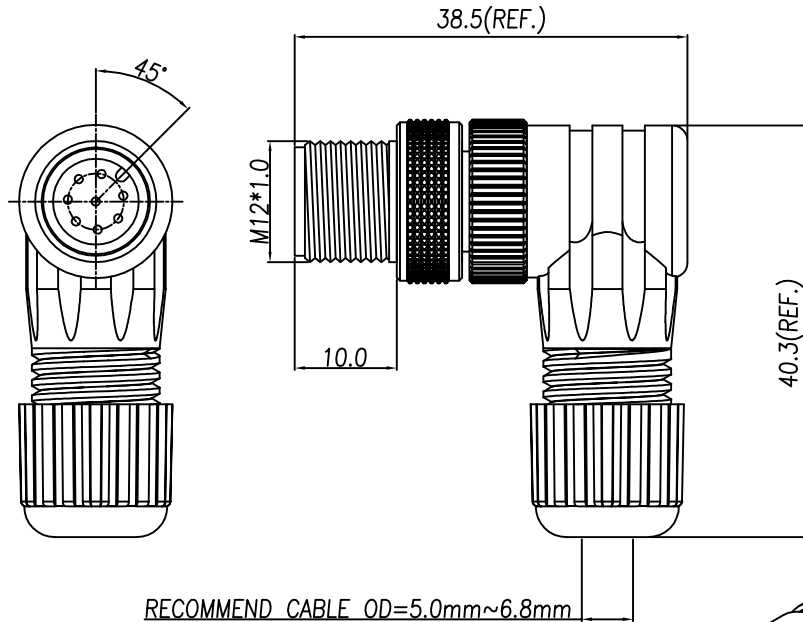


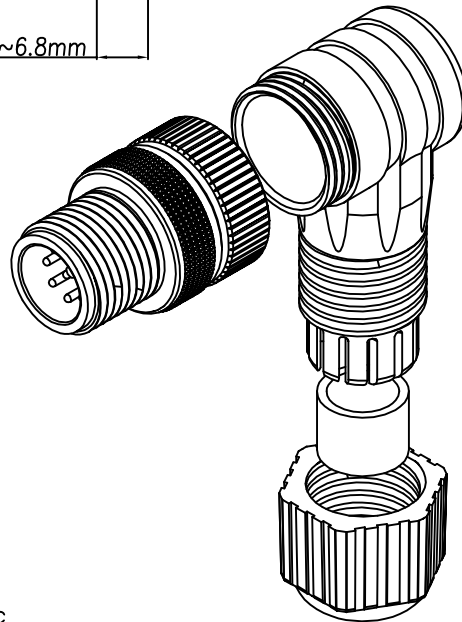
This document is the property of Nian-Yeong Corporation and is delivered on the express condition that it is not to be disclosed, reproduced or used, in whole or in part, for manufacture or sale by anyone other than Nian-Yeong Corporation without its prior consent, and that no right is granted to disclose or to use any information in this document.

CUSTOMER DRAWING

REV.	DESCRIPTION	APPROVED BY	DATE	ECN NO.
A	RELEASE	Ku Chou	19/07/19*	
B				
C				



RECOMMEND CABLE OD=5.0mm~6.8mm



1. MATERIAL :
 - 1-1. HOUSING : PA66 ; COLOR : BLACK.
 - 1-2. CONTACT : BRASS
 - 1-3. SHELL : BRASS
 - 1-4. NUT : BRASS
 - 1-5. O-RING : SILICONE
 - 1-6. CLAMP RING : PA66
 - 1-7. SEAL : SILICONE
 - 1-8. SEALING NUT : PA66
2. FINISH :
 - 2-1. CONTACT : SEE TABLE A
 - 2-2. NUT : NICKEL PLATED.
 - 2-3. SHELL : NICKEL PLATED.
3. ELECTRICAL SPECIFICATION :
 - 3-1. Rated current : 2A
 - 3-2. Rated voltage : 30V
 - 3-3. Water proof : IP67
4. Environmental :
 - 4-1. Operation Temperature : -40°C~105°C

TABLE A

0° 8PIN	45°	90°	135°	180°
WP-08M2-98-11	WP-08M2-99-11	WP-08M2-100-11	WP-08M2-101-11 WP-08M2-97-11	WP-08M2-102-11
0° 7PIN	45°	90°	135°	180°
0° 6PIN	45°	90°	135°	180°
WP-08M2-102-11	10u" GOLD PLATED/鍍金10u"			
WP-08M2-101-11	10u" GOLD PLATED/鍍金10u"			
WP-08M2-100-11	10u" GOLD PLATED/鍍金10u"			
WP-08M2-99-11	10u" GOLD PLATED/鍍金10u"			
WP-08M2-98-11	10u" GOLD PLATED/鍍金10u"			
WP-08M2-97-11	30u" GOLD PLATED/鍍金30u"			
PART No.	FINISH			

DRAWN	Mark Kao	APP'D	Ku Chou	UNIT	mm	TOLERANCE		TITLE	M12 8PIN(M) A-coded 90° Assembly type(塑膠本體)	SHEET			
CHK'D	Ku Chou			SCALE	1:1	.x ±0.20 .xx ±0.10 .xxx ±0.05 .xxxx ±0.03 ANGULA ±1°		PART NO.	SEE TABLE A	DWG NO.	QC9672	VERSION	A

