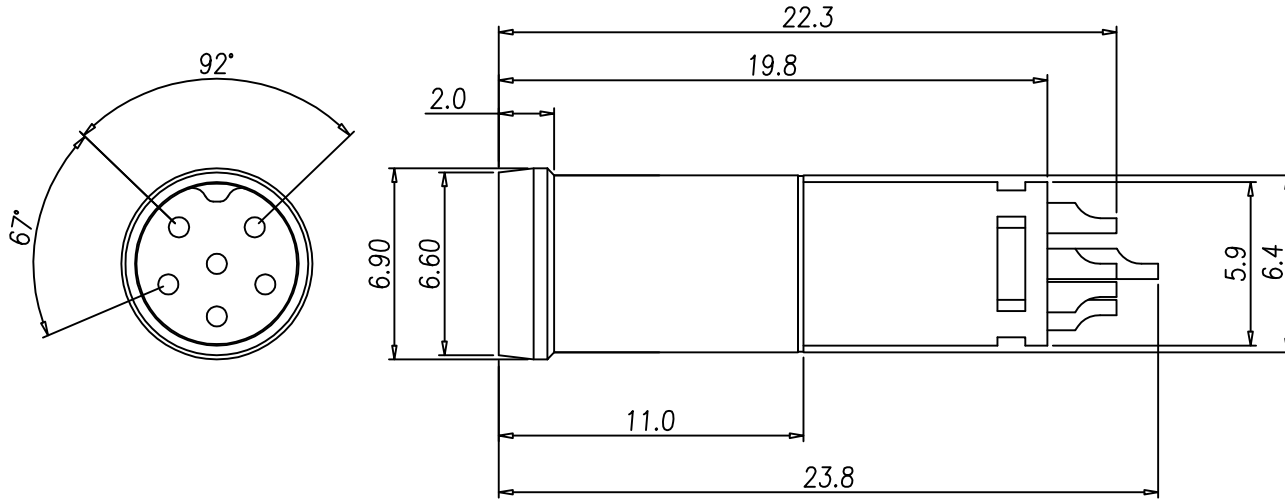


This document is the property of Nian-Yeong Corporation and is delivered on the express condition that it is not to be disclosed, reproduced or used, in whole or in part, for manufacture or sale by anyone other than Nian-Yeong Corporation without its prior consent, and that no right is granted to disclose or to use any information in this document.

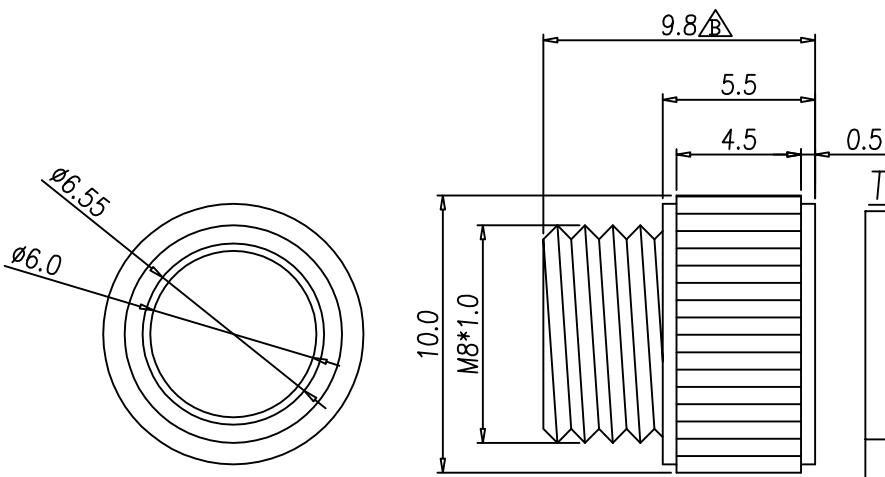
# CUSTOMER DRAWING

REV.	DESCRIPTION	APPVL. BY	DATE	ECN NO.
A	RELEASE	Fido	16/05/17*	
B	尺寸設變	Fido	16/11/17*	
C				



### NOTE

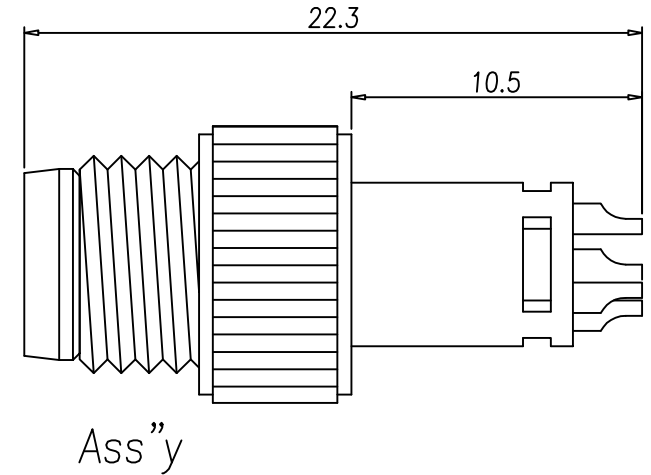
- MATERIAL :
  - HOUSING : PA66 UL94V-0 ; COLOR : BLACK
  - CONTACT : BRASS.
  - NUT : SEE TABLE A
  - SHELL : SEE TABLE A
- FINISH :
  - CONTACT : GOLD 10 MICRO INCHES MIN.
  - SHELL : SEE TABLE A
  - NUT : SEE TABLE A
- ELECTRICAL SPECIFICATION :
  - Rated current : 2A
  - Rated Voltage : 30V
  - Water proof : IP67
- Environmental :
  - Operation Temperature : -40°C~105°C



NUT

TABLE A

	5PIN	6PIN
	WP-05M2-166-11	WP-06M2-51-11 WP-06M2-52-11 WP-06M2-53-11



Ass'y

WP-05M2-166-11	BRASS	NICKEL PLATED.	BRASS	NICKEL PLATED.
WP-06M2-51-11	Stainless steel 316	-	Stainless steel 316	-
WP-06M2-52-11	BRASS	NICKEL PLATED.	BRASS	NICKEL PLATED.
WP-06M2-53-11	Stainless steel 316	-	BRASS	NICKEL PLATED.
P/N	MATERIAL(NUT)	PLATED(NUT)	MATERIAL(SHELL)	PLATED(SHELL)

DRAW	Ku Chou	APPVL	Emily Suen	UNIT	mm	TOLERANCE		TITLE	M8 (M) 線端焊線式(梅花型92°)	SHEET
CHECK	Emily Suen			SCALE	1:1	.x ±0.20 .xx ±0.10 .xxx ±0.05 .xxxx ±0.03 ANGULA ±1°		PART NO.	SEE TABLE A	VERSION
									DWG NO.	B
							年永實業有限公司		QC7848	