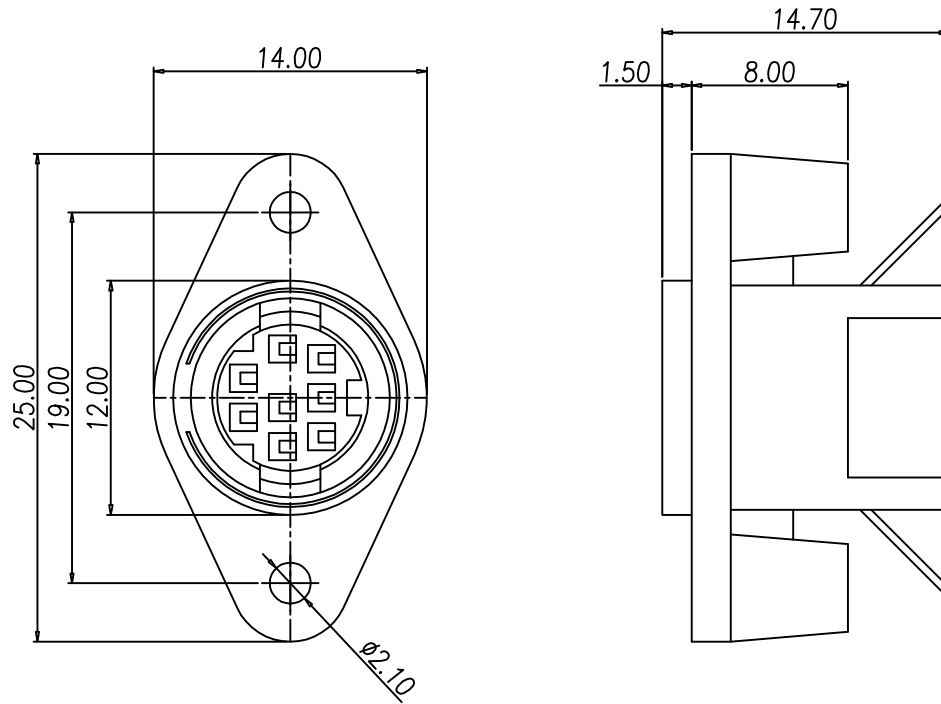


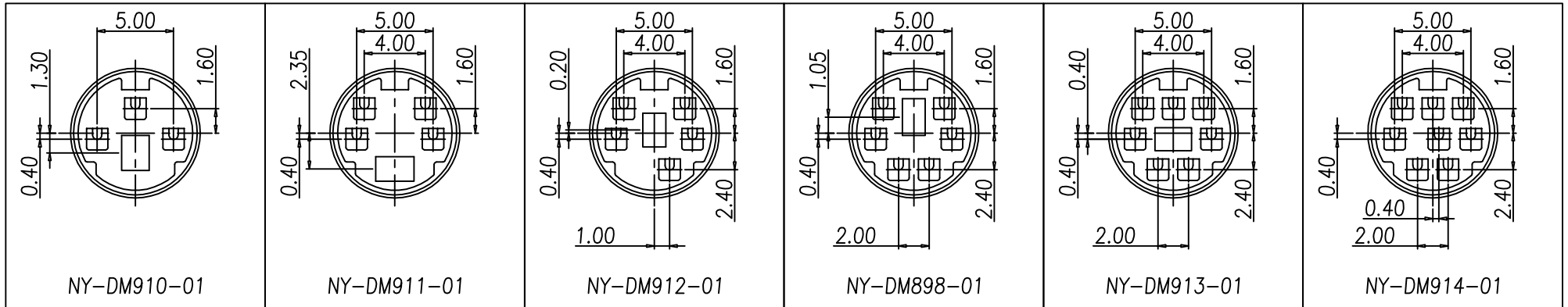
This document is the property of Nian-Yeong Corporation and is delivered on the express condition that it is not to be disclosed, reproduced or used, in whole or in part, for manufacture or sale by anyone other than Nian-Yeong Corporation without its prior consent, and that no right is granted to disclose or to use any information in this document.

CUSTOMER DRAWING

| REV. | DESCRIPTION | APPROVED BY | DATE | ECN NO. |
|------|-------------|-------------|-------------|---------|
| A | RELEASE | Emily Suen | 07/12/2011* | |
| B | 更新機 | yeh | 09/07/2020* | |
| C | | | | |



1. MATERIAL :
 - 1-1. HOUSING : PBT UL94V-0 ; COLOR : BLACK
 - 1-2. SHELL : BRASS
2. FINISH :
 - 2-1. SHEL : BRIGHT TIN 60u" ON OVER ALL
3. ELECTRICAL SPECIFICATION :
 - 3-1. Rated current : 1A
 - 3-2. Voltage : 100V AC
4. Environmental :
 - 4-1. Operation Temperature : -20C~+85C



| | | | | | | | | | | | | | |
|-------|------------|-------|---------|-------|-----|--|--|----------|-----------------------|---------|--------|---------|--|
| DRAWN | Yeh Chou | APP'D | Ku Chou | UNIT | mm | TOLERANCE | | TITLE | MINI DIN(F)雙耳鎖板式(半成品) | | | SHEET | |
| CHK'D | Emily Suen | | | SCALE | 1:1 | .x ±0.20 .xx ±0.15 .xxx ±0.10 .xxxx ±0.05 ANGULA ±1° | | PART NO. | SEE TABLE A | DWG NO. | QC9512 | VERSION | |

NIAN YEONG ENTERPRISE
年永實業有限公司