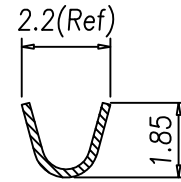
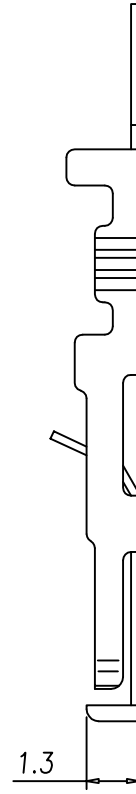
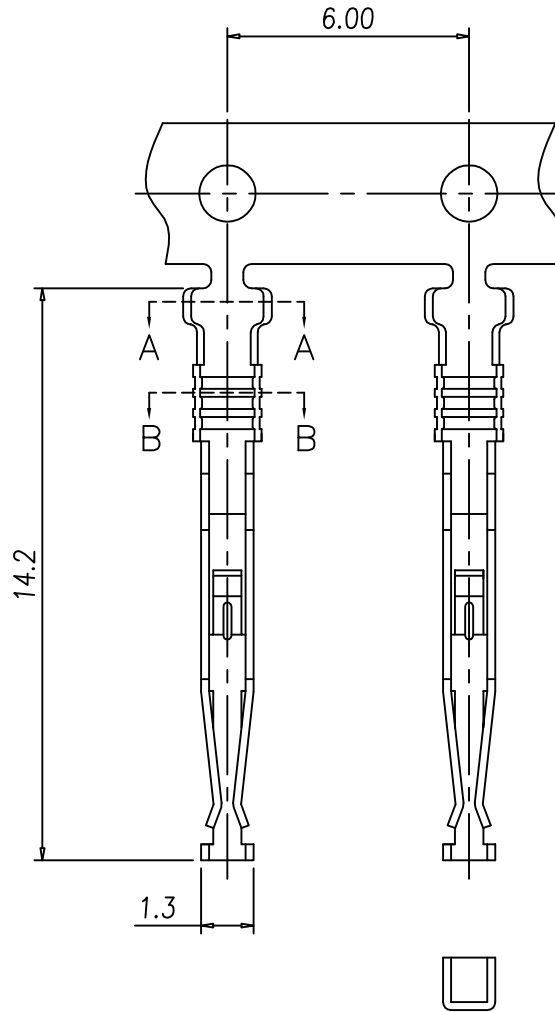


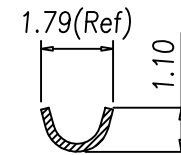
This document is the property of Nian-Yeong Corporation and is delivered on the express condition that it is not to be disclosed, reproduced or used, in whole or in part, for manufacture or sale by anyone other than Nian-Yeong Corporation without its prior consent, and that no right is granted to disclose or to use any information in this document.

CUSTOMER DRAWING

REV.	DESCRIPTION	APPROVED BY	DATE	ECN NO.
A	RELEASE	Yeh	20/07/20"	
B				
C				



SECTION A-A



SECTION B-B

NOTE:

- 1.MATERIAL : PHOSPHOR BRONZE/磷青銅
- 2.FINISH : SEE TABLE A
- UNDER PLATE : NICKEL PLATED 60u" ~ 100u" OVER ALL

TABLE A/表A

OY-DM0835-10	GOLD FLASH PLATED/鍍表金
OY-DM0819-10	BRIGHT TIN 60u" PLATED/鍍亮錫60u"

DRAWN	Yeh Chou	APP'D	Emily Suen	UNIT	mm	TOLERANCE		TITLE	MINI DIN (F)雙耳鎖板式CRIMP PIN	SHEET			
CHK'D	Emily Suen			SCALE	1:1	.x ±0.10 .xx ±0.05 .xxx ±0.03 .xxxx ±0.01 ANGULA ±1°		PART NO.	SEE TABLE A	DWG NO.	QC9513	VERSION	A

