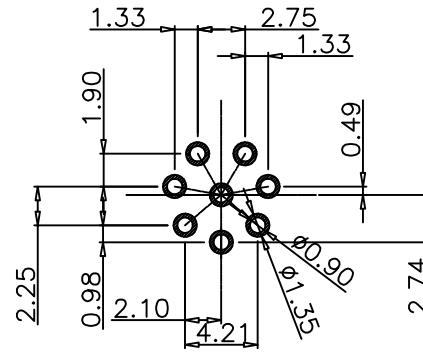
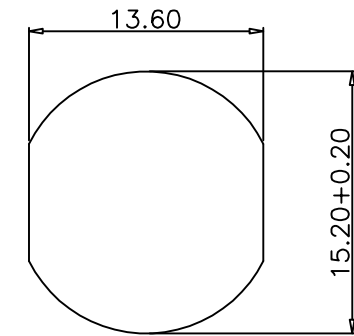
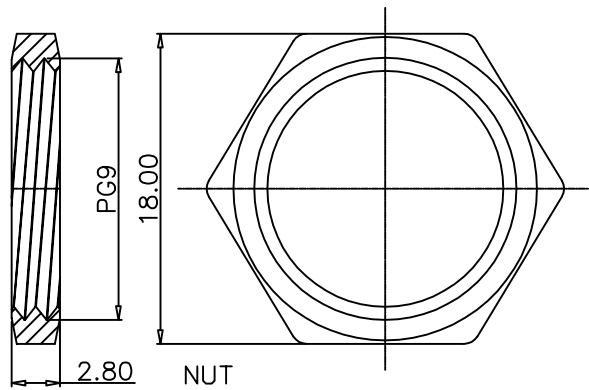
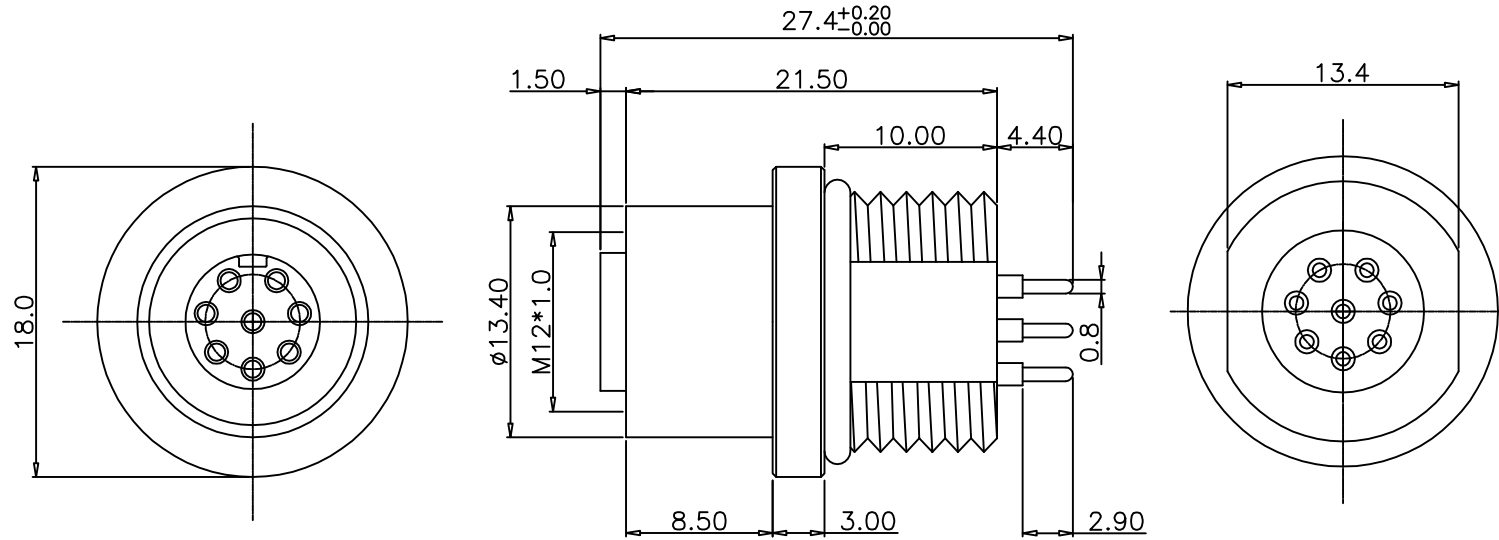


This document is the property of Nian-Yeong Corporation and is delivered on the express condition that it is not to be disclosed, reproduced or used, in whole or in part, for manufacture or sale by anyone other than Nian-Yeong Corporation without its prior consent, and that no right is granted to disclose or to use any information in this document.

CUSTOMER DRAWING

REV.	DESCRIPTION	APPROVED BY	DATE	ECN NO.
A	RELEASE	Fido Weng	24/07/14*	
B				
C				



- MATERIAL :
  - HOUSING : PBT UL94V-0 ; COLOR : BLACK
  - CONTACT : BRASS
  - SHELL : BRASS
  - NUT : BRASS
  - O-RING : EPDM ; COLOR : BLACK.
- FINISH :
  - CONTACT : GOLD FLASH.  
UNDER PLATE : NICKEL
  - SHELL : NICKEL PLATED.  
NUT : NICKEL PLATED.
- ELECTRICAL SPECIFICATION :
  - Rated current : 2A
  - Rated Voltage : 30V
  - Water proof : IP67
- Environmental :
  - Operation Temperature : -40°C~85°C

DRAWN	Ku Chou	APP'D	Fido Weng	UNIT	mm	TOLERANCE			TITLE	WP M12 8pin (F) A-Code 板端後鎖PG9插板式			SHEET	
CHK'D	Emily Suen			SCALE	1:1	.x ±0.20 .xx ±0.10 .xxx ±0.05 .xxxx ±0.03 ANGULA ±1°			PART NO.	WP-08F2-60-11	DWG NO.	QC7150	VERSION	

NIAN YEONG ENTERPRISE  
年永實業有限公司