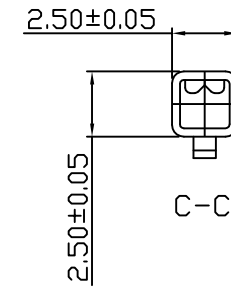
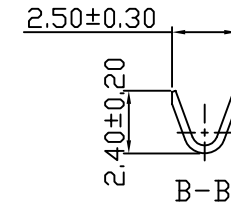
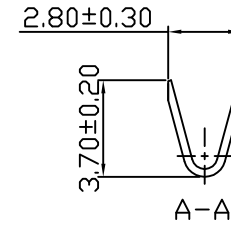
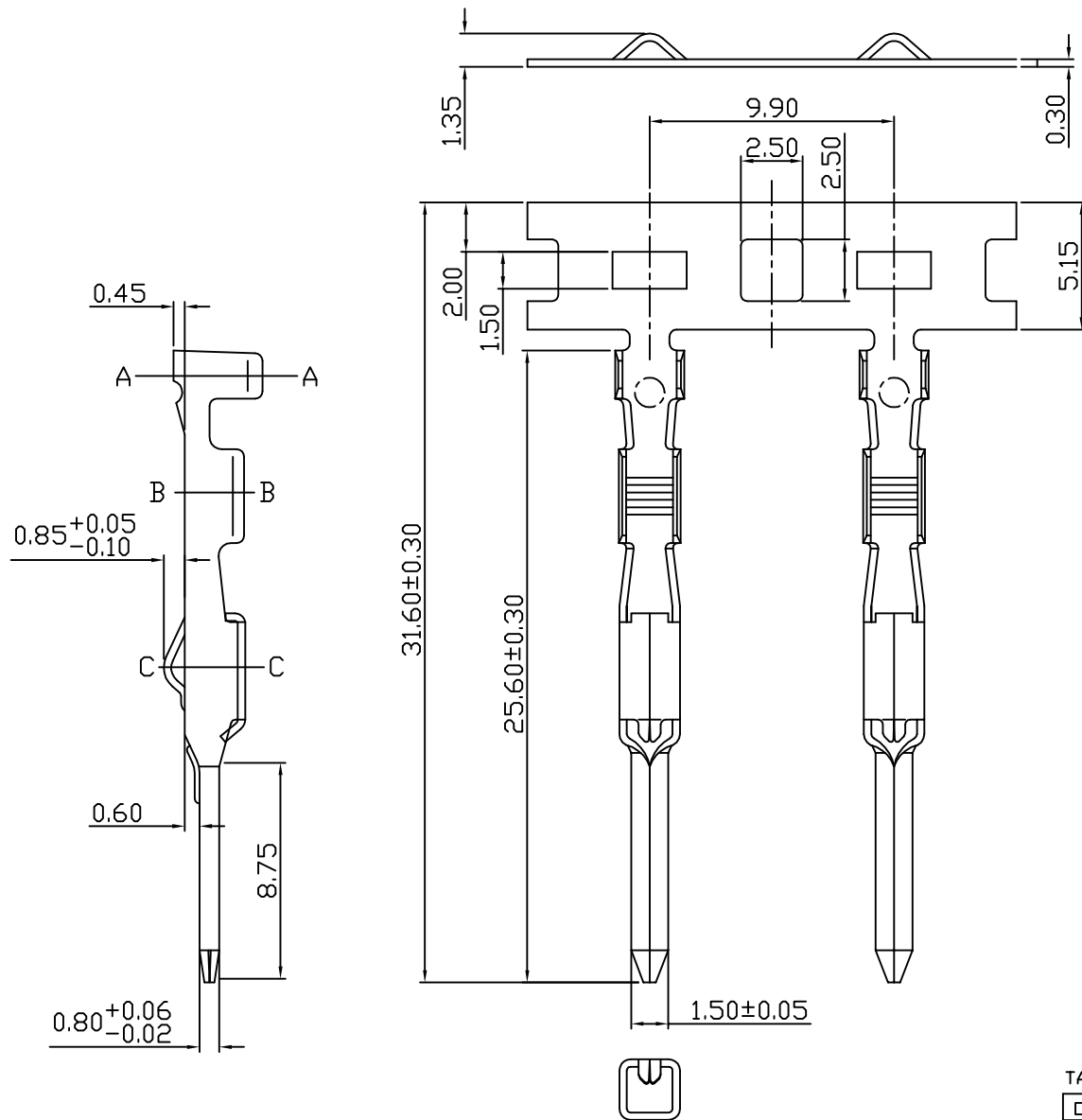


This document is the property of Nian-Yeong Corporation and is delivered on the express condition that it is not to be disclosed, reproduced or used, in whole or in part, for manufacture or sale by anyone other than Nian-Yeong Corporation without its prior consent, and that no right is granted to disclose or to use any information in this document.

CUSTOMER DRAWING

REV.	DESCRIPTION	APPROVED BY	DATE	ECN NO.
A	RELEASE	Yeh Chou	2017/01/20	
B				
C				
D				



1. MATERIAL :
 1-1. CONTACT : PHOSPHORUS BRONZE T=0.3mm
 2. FINISH :
 2-1. SHELL : SEE TABLE A

TABLE A

OY-TE0505-00	TIN 60u"~100u"
OY-TE1505-00	SOURCE MATERIAL

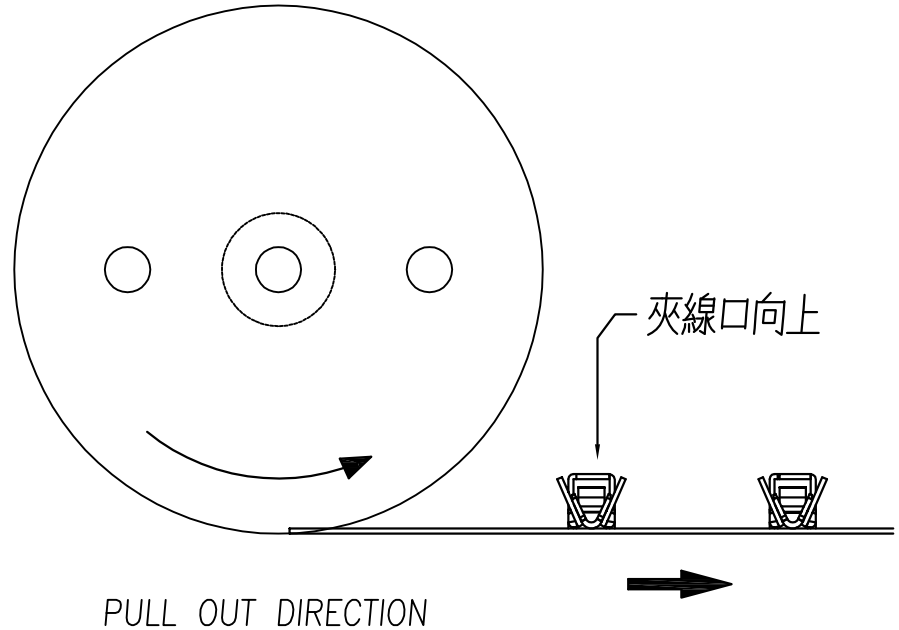
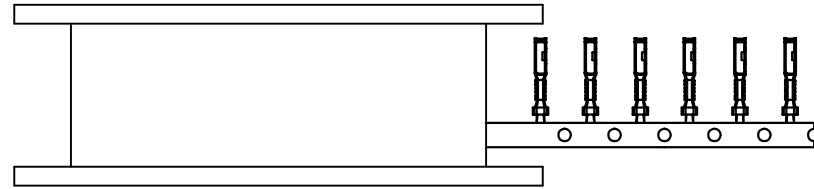
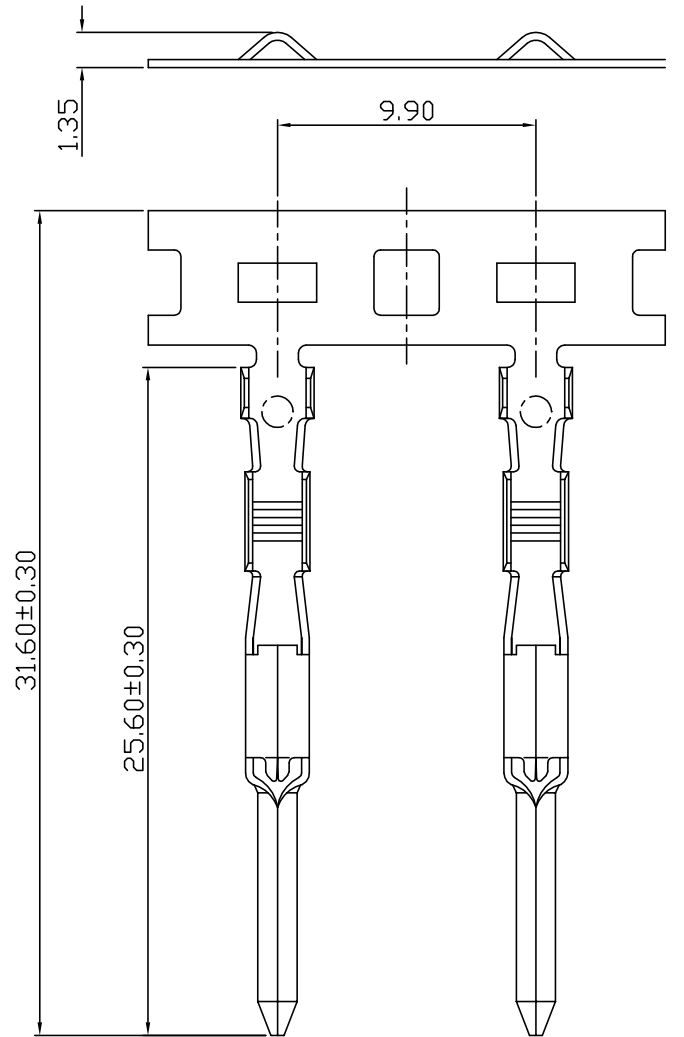
DRAWN	Yeh Chou	APPVL	Ku Chou	UNIT	mm	TOLERANCE				TITLE	OBD2 LOCK TYPE CRIMP PIN(銅線60u"~100u")			SHEET	
CHK'D	Emily Suen			SCALE	1:1	.x ±0.20 .xx ±0.15 .xxx ±0.05 .xxxx ±0.01 ANGULA ±1°				PART NO.	SEE TABLE A	DWG NO.	QC9450	VERSION	

NIAN YEONG ENTERPRISE
 年永實業有限公司

This document is the property of Nian-Yeong Corporation and is delivered on the express condition that it is not to be disclosed, reproduced or used, in whole or in part, for manufacture or sale by anyone other than Nian-Yeong Corporation without its prior consent, and that no right is granted to disclose or to use any information in this document.

CUSTOMER DRAWING

REV.	DESCRIPTION	APPROVED BY	DATE	ECN NO.
A	RELEASE	Yeh Chou	2017/01/20	
B				
C				
D				



- MATERIAL :
 - CONTACT : PHOSPHORUS BRONZE T=0.3mm
- FINISH :
 - SHELL : SEE TABLE A

TABLE A

QY-TE0505-00	TIN 60u"~100u"
QY-TE1505-00	SOURCE MATERIAL

DRAWN	Yeh Chou	APPVL	Ku Chou	UNIT	mm	TOLERANCE .x ±0.20 .xx ±0.15 .xxx ±0.05 .xxxx ±0.01 ANGULA ±1°		NIAN YEONG ENTERPRISE 年永實業有限公司	TITLE	OBD2 LOCK TYPE CRIMP PIN(線徑60u"~100u")			SHEET	A
CHK'D	Emily Suen			SCALE	1:1				PART NO.	SEE TABLE A	DWG NO.	QC9450	VERSION	