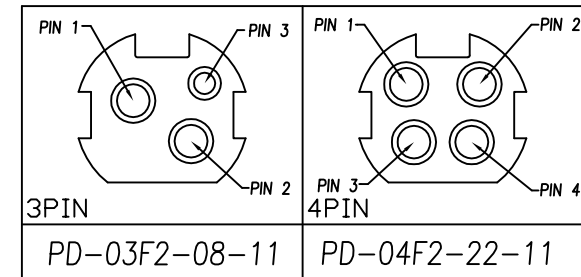
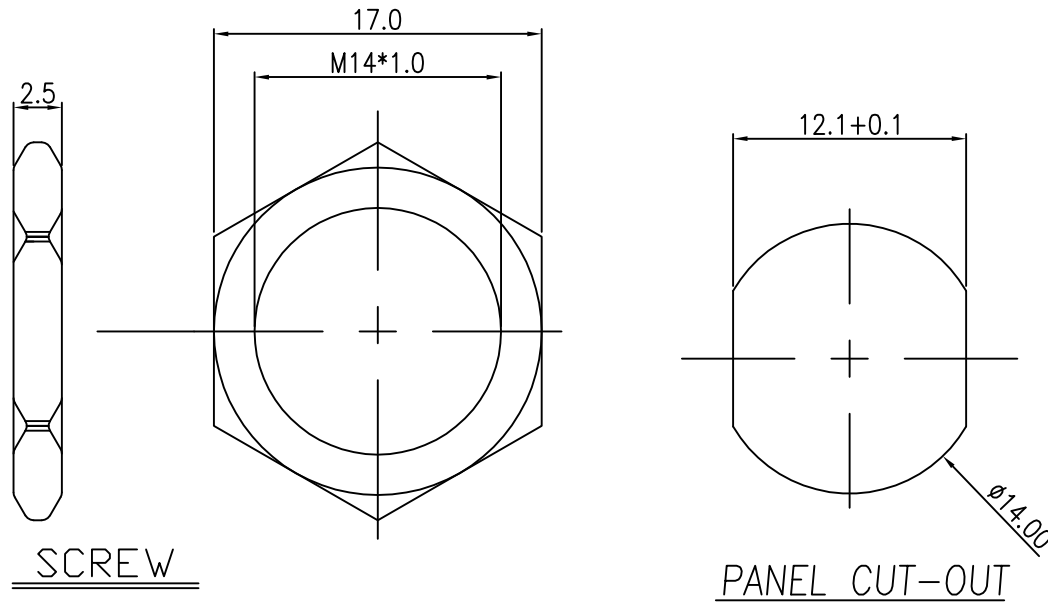
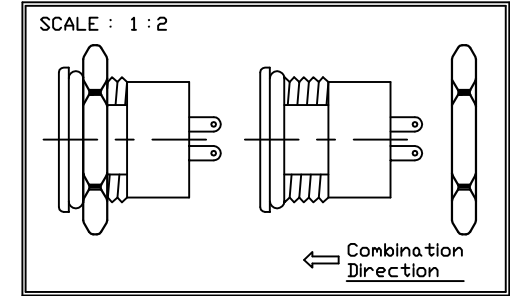
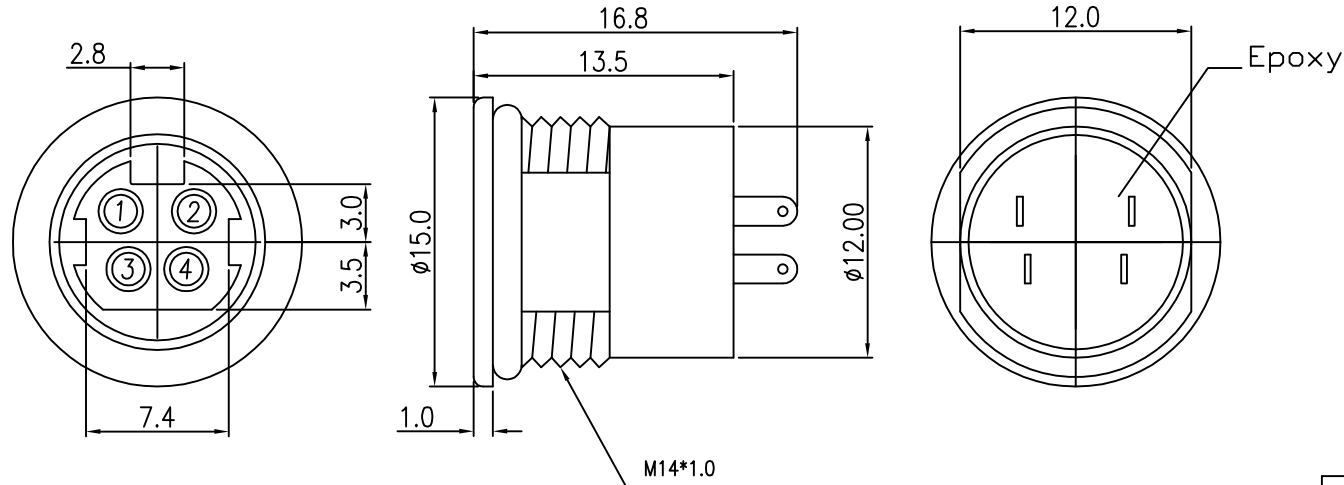


This document is the property of Nian-Yeong Corporation and is delivered on the express condition that it is not to be disclosed, reproduced or used, in whole or in part, for manufacture or sale by anyone other than Nian-Yeong Corporation without its prior consent, and that no right is granted to disclose or to use any information in this document.

CUSTOMER DRAWING

REV.	DESCRIPTION	APPROVED BY	DATE	ECN NO.
A	Release	Fideo Weng	19/01/17*	
B				
C				



- MATERIAL :
 - 1-1. HOUSING : PBT UL94V-0 ; COLOR : BLACK
 - 1-2. CONTACT : PHOSPHOR BRONZE
 - 1-3. SHELL : BRASS
 - 1-4. SCREW : BRASS
 - 1-5. O-RING : SILICONE.
- FINISH :
 - 2-1. CONTACT : TIN PLATING OVER NICKEL
 - 2-2. SHELL : NICKEL PLATED 60u" ~ 100u" OVER ALL
 - 2-3. SCREW : NICKEL PLATED 60u" ~ 100u" OVER ALL
- ELETRICAL SPECICATION :
 - 3-1. RATED CURRENT : 3PIN 7.5A&1A(PIN3) ; 4PIN 7.5A
 - 3-2. RATED VOLTAGE : 25V/DC MAX
 - 3-3. Water proof : IP67
- ENVIRONMENTAL :
 - 4-1. OPERATION TEMPERATURE : -20°C~85°C

DRAWN	Ku Chou	APP'D	Emily Suen	UNIT	mm	TOLERANCE			TITLE	防水 POWER DIN 母座插嘴			SHEET
CHK'D	Emily Suen			SCALE	1:1	.x ±0.20 .xx ±0.10 .xxx ±0.05 .xxxx ±0.01 ANGULA ±1°			VERSION	PART NO.	SEE TABLE A	DWG NO.	QC7931
								NIAN YEONG ENTERPRISE 年永實業有限公司					