

This document is the property of Nian-Yeong Corporation and is delivered on the express condition that it is not to be disclosed, reproduced or used, in whole or in part, for manufacture or sale by anyone other than Nian-Yeong Corporation without its prior consent, and that no right is granted to disclose or to use any information in this document.

CUSTOMER DRAWING

REV.	DESCRIPTION	APPROVED BY	DATE	ECN NO.
A	RELEASE	Fido Weng	23/03/17'	
B	ADD P/N	KU CHOU	22/01/21'	
C				

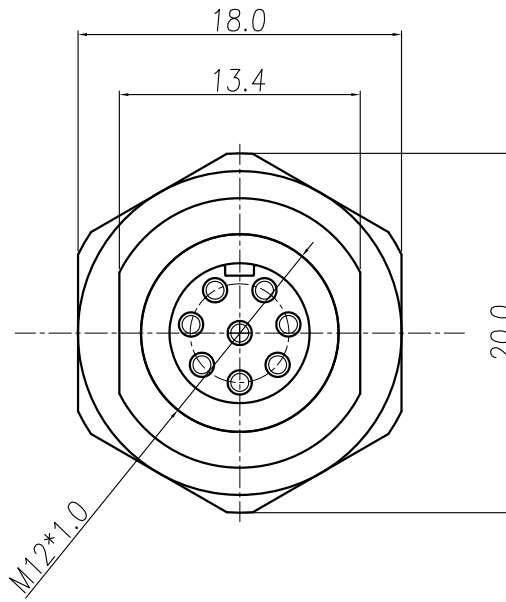
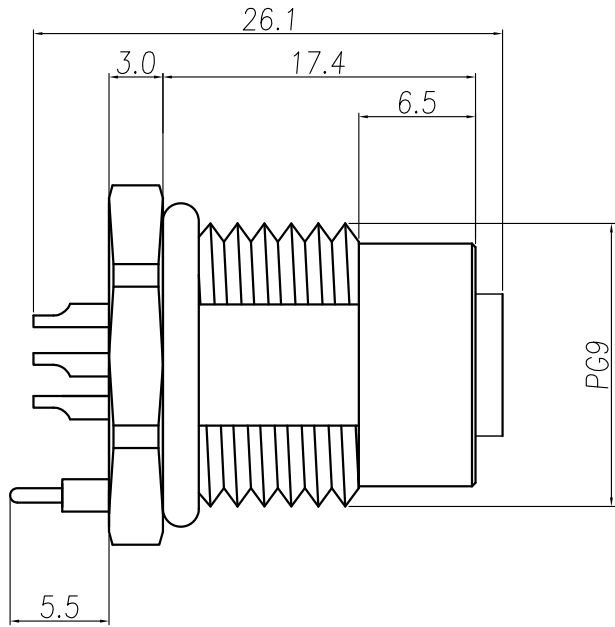
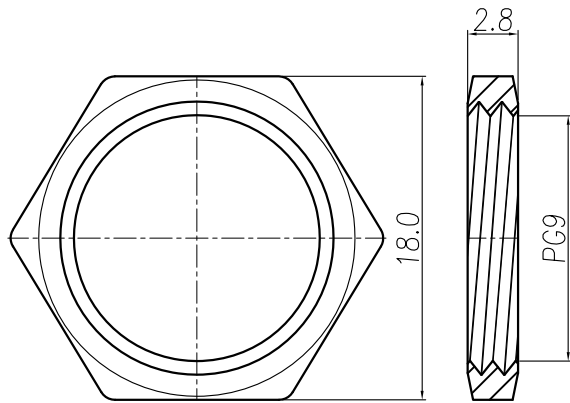


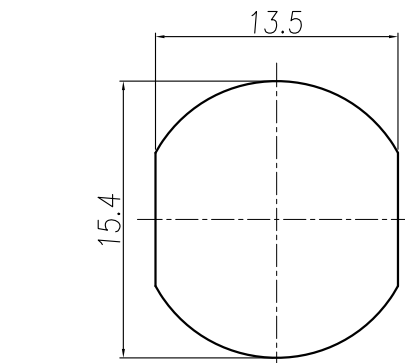
TABLE A ^B

WP-06F2-79-11	WP-06F2-80-11
WP-08F2-82-11	WP-07F2-18-11

Pin Assignments
Front View



NUT



RECOMMEND PANEL CUT-OUT

- MATERIAL :
 - 1-1. HOUSING : PBT UL94V-0 ; COLOR : BLACK
 - 1-2. CONTACT : BRASS
 - 1-3. NUT : BRASS
 - 1-4. SHELL : BRASS
 - 1-5. O-RING : EPDM ; COLOR : BLACK(13*2).
- FINISH :
 - 2-1. CONTACT : 10 MICRO INCHES MIN. GOLD PLATED UNDER PLATE : NICKEL
 - 2-2. NUT : NICKEL PLATED
 - 2-3. SHELL : NICKEL PLATED
- ELECTRICAL SPECIFICATION :
 - 3-1. Rated current : 2A
 - 3-2. Rated Voltage : 30V
 - 3-3. Water proof : IPX7
- Environmental :
 - 4-1. Operation Temperature : -40°C~85°C

DRAWN	EMILY SUEN	APP'D	KU CHOU	UNIT	mm	TOLERANCE		TITLE	防水環 M12 8PIN A-code (F) 繪製Pg9母線式(無螺絲+接地)			SHEET
CHK'D	KU CHOU			SCALE	1:1	.x ±0.20 .xx ±0.10 .xxx ±0.05 .xxxx ±0.03 ANGULA ±1°		PART NO.	SEE TABLE A	DWG NO.	QC7771	VERSION B

NIAN YEONG ENTERPRISE
年永實業有限公司