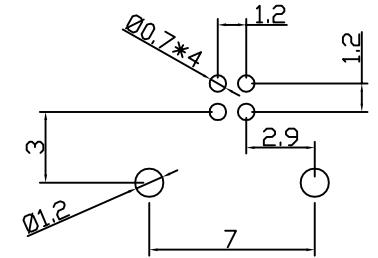
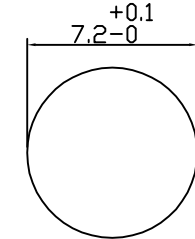
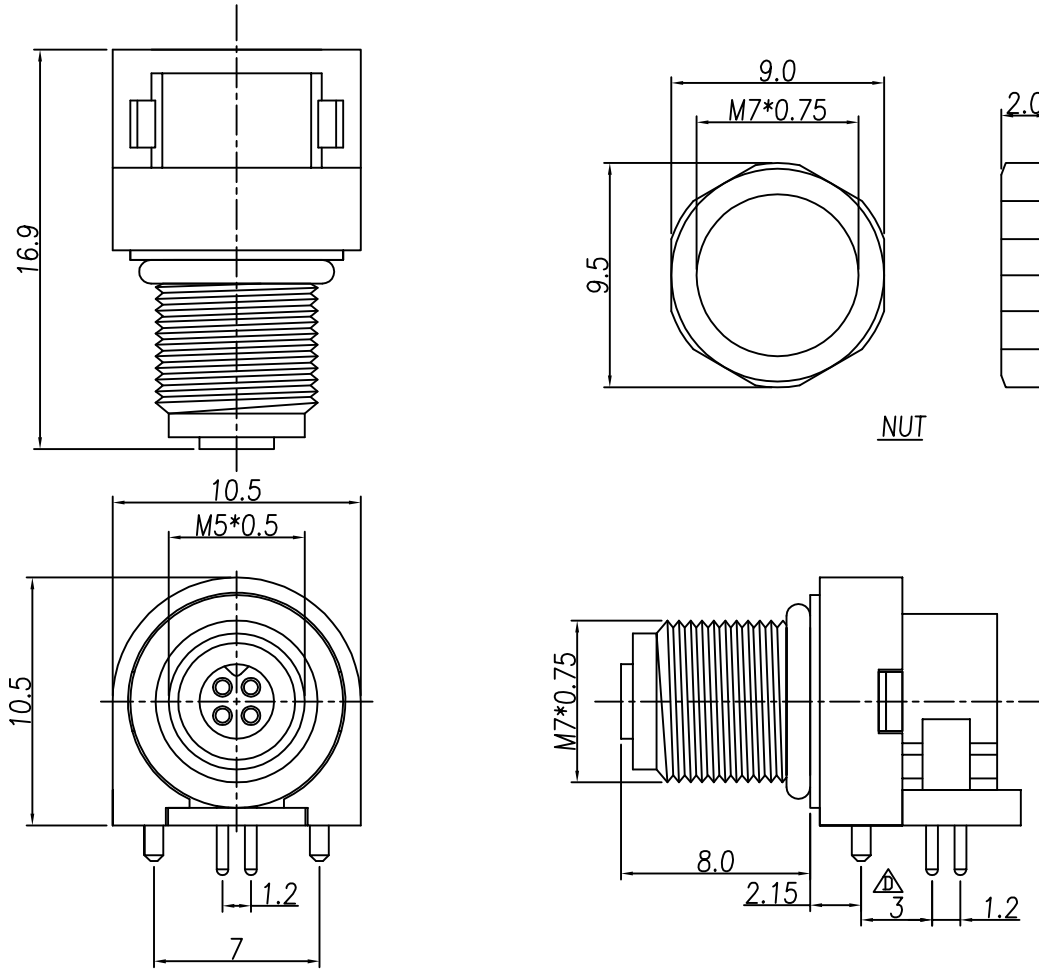


This document is the property of Nian-Yeong Corporation and is delivered on the express condition that it is not to be disclosed, reproduced or used, in whole or in part, for manufacture or sale by anyone other than Nian-Yeong Corporation without its prior consent, and that no right is granted to disclose or to use any information in this document.

CUSTOMER DRAWING

REV.	DESCRIPTION	APPROVED BY	DATE	ECN NO.
B	新增料號		17/10/14"	
C	新增料號		14/01/15"	
D	MODIFY DIM.	Yeh Chou	04/03/20"	



PANEL CUT-OUT

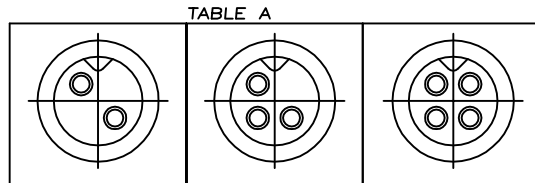
P.C.B. LAYOUT

NOTE:

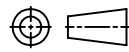
- MATERIAL :
 - 1-1. HOUSING : PBT UL94V-0 ; COLOR : BLACK
 - 1-2. CONTACT : BRASS
 - 1-3. NUT : BRASS
 - 1-4. SHELL : BRASS
 - 1-5. O-RING : NBR ; COLOR : BLACK
 - 1-6. BACK HOUSING : PBT UL94V-0 ; COLOR : BLACK
 - 1-7. DOWN HOUSING : PBT UL94V-0 ; COLOR : BLACK
- FINISH :
 - 2-1. CONTACT : SEE TABLE A
 - 2-2. NUT : SEE TABLE A" ON OVER ALL
 - 2-3. SHELL : SATIN NICKEL PLATED
- ELECTRICAL SPECIFICATION :
 - 3-1. Rated current : 1A
 - 3-2. Rated voltage : 60V
 - 3-3. Water proof: IP67
- Environmental :
 - 4-1. Operation Temperature : -20°C~85°C

TABLE A

WP-04F2-147-11	SATIN NICKEL 80u"~100u"	GOLD 10u"
WP-03F2-68-11	SATIN NICKEL 80u"~100u"	GOLD 10u"
WP-02F2-44-11	SATIN NICKEL 80u"~100u"	GOLD 10u"
WP-04F2-63	SATIN NICKEL 80u"~100u"	GOLD FLASH
WP-03F2-51-11	SATIN NICKEL 80u"~100u"	GOLD FLASH
WP-02F2-34-11	SATIN NICKEL 80u"~100u"	GOLD FLASH
WP-04F2-119-11	BLACK Cr	GOLD FLASH
PART NO	NUT	FINISH



DRAWN	Yeh Chou	APPEND	Ku Chou	UNIT	mm	TOLERANCE
CHK'D	Emily Suen			SCALE	1:1	.x ±0.20 .xx ±0.10 .xxx ±0.05 .xxxx ±0.03 ANGULA ±1°



NIAN YEONG ENTERPRISE
年永實業有限公司

TITLE	M5*0.5 (F) 90度板端			SHEET
PART NO.	SEE TABLE A	DWG NO.	QC5220	1
VERSION				D