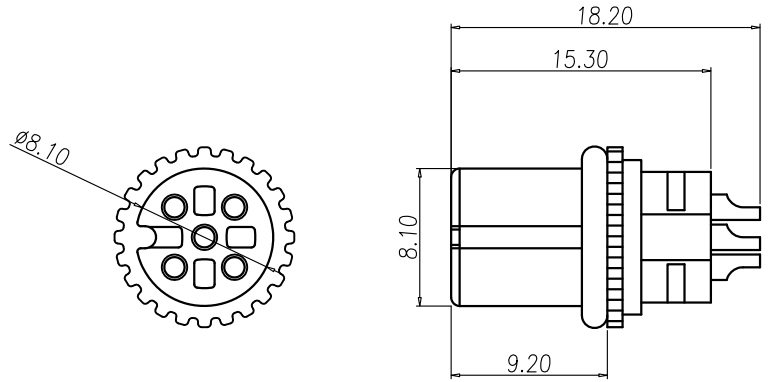


This document is the property of Nian-Yeong Corporation and is delivered on the express condition that it is not to be disclosed, reproduced or used, in whole or in part, for manufacture or sale by anyone other than Nian-Yeong Corporation without its prior consent, and that no right is granted to disclose or to use any information in this document.

# CUSTOMER DRAWING

REV.	DESCRIPTION	APPVL. BY	DATE	ECN NO.
A	RELEASE	Fido Weng	25/02/14*	
B				
C				



HPUSING & PIN & O-ring

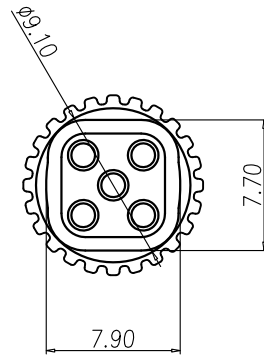
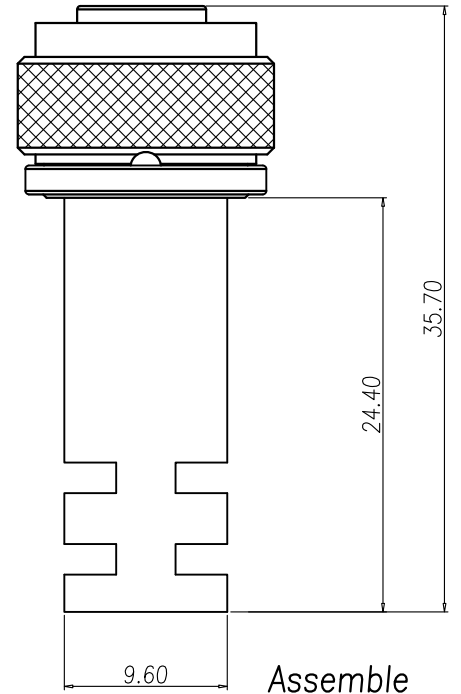


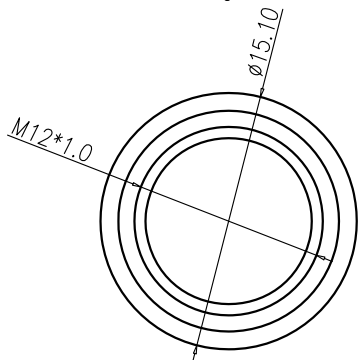
TABLE A

WP-05F2-209-11 WP-05F2-210-11	WP-04F2-276-11 WP-04F2-277-11
WP-03F2-166-11 WP-03F2-167-11	WP-02F2-97-11 WP-02F2-98-11

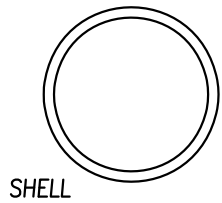
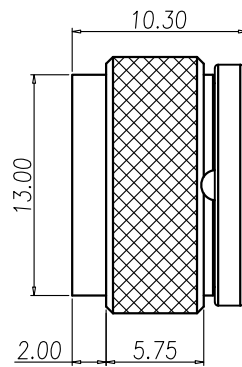
WP-02F2-97-11	GOLD FLASH	WP-02F2-98-11	GOLD 10u"
WP-03F2-166-11	GOLD FLASH	WP-03F2-167-11	GOLD 10u"
WP-04F2-276-11	GOLD FLASH	WP-04F2-277-11	GOLD 10u"
WP-05F2-209-11	GOLD FLASH	WP-05F2-210-11	GOLD 10u"
PART NO	FINISH	PART NO	FINISH



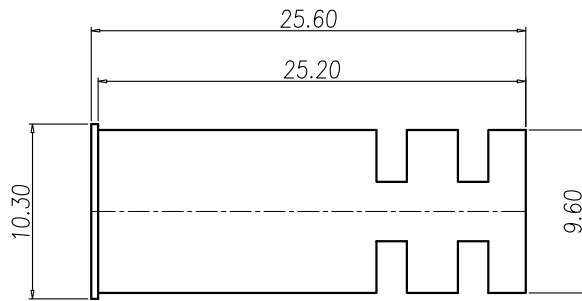
Assemble



NUT & anti-vibration detent



SHELL



- MATERIAL :
  - HOUSING : PA66 ; COLOR : BLACK
  - CONTACT : BRASS
  - NUT : BRASS
  - SHELL : BRASS
  - O-RING : EPDM
- FINISH :
  - CONTACT : SEE TABLE A  
UNDER PLATE : NICKEL
  - NUT : NICKEL PLATED.
  - SHELL : NICKEL PLATED.
- ELECTRICAL SPECIFICATION :
  - Rated current : 4A
  - Rated Voltage : 2~4PIN 250V ; 5PIN 60V
  - Water proof : IPX7
- Environmental :
  - Operation Temperature : -40°C~85°C

DRAW	Ku Chou	APPVL	Emily Suen	UNIT	mm	TOLERANCE		TITLE	防水頭 M12 (F) A-CODE 止滑接地線式	SHEET
CHECK	Emily Suen			SCALE	1:1	.x ±0.20 .xx ±0.10 .xxx ±0.05 .xxxx ±0.03 ANGULA ±1°		PART NO.	SEE TABLE A	VERSION
									DWG NO.	A
							NIAN YEONG ENTERPRISE 年永實業有限公司		QC10166	