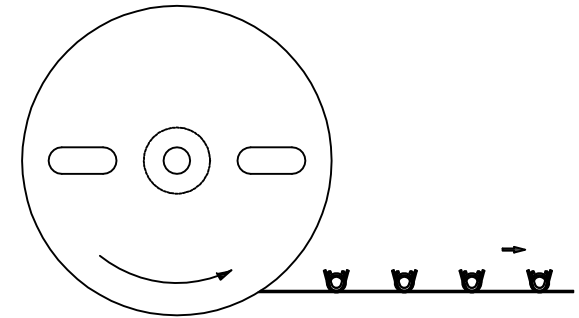
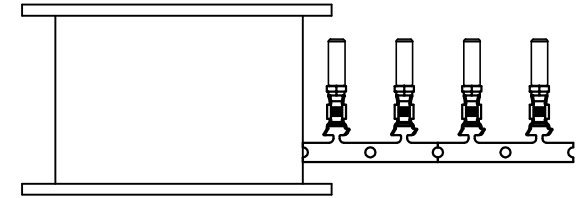
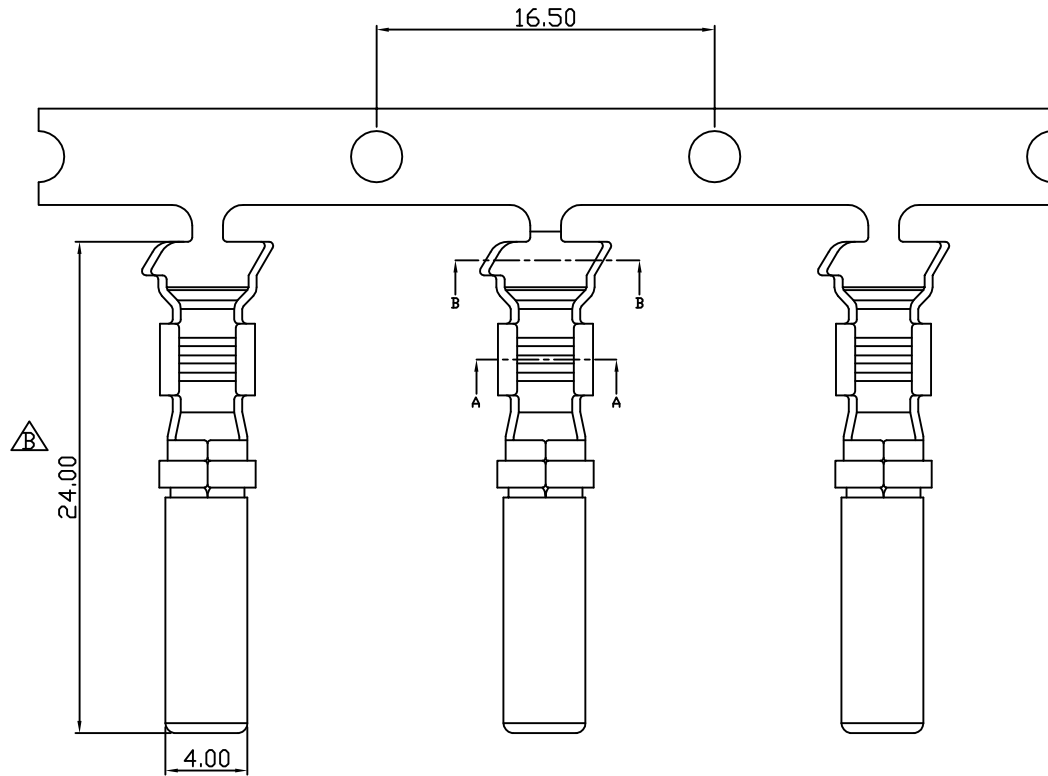


This document is the property of Nian-Yeong Corporation and is delivered on the express condition that it is not to be disclosed, reproduced or used, in whole or in part, for manufacture or sale by anyone other than Nian-Yeong Corporation without its prior consent, and that no right is granted to disclose or to use any information in this document.

CUSTOMER DRAWING

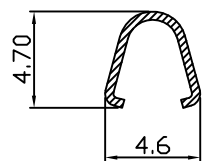
REV.	DESCRIPTION	APPROVED BY	DATE	ECN NO.
A	RELEASE	Fido Weng	12/07/13"	
B	修改尺寸	Fido Weng	22/07/13"	
C				



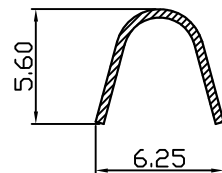
PULL OUT DIRECTION

TABLE A/表A

NY-WP1990-00	GOLD FLASH/鍍金
NY-WP376	MATTE TIN 80u" ON OVER ALL



SECTION A-A



SECTION B-B

- MATERIAL :
 - 1-1. CONTACT : PHOSPHOR BRONZE
 - 1-2. SHELL : STAINLESS STEEL
- FINISH :
 - 2-1. CONTACT : SEE TABLE A/見表A

DRAWN	Yeh Chou	APP'D	Ku Chou	UNIT	mm	TOLERANCE			TITLE	防水頭6PIN(F)端子半成品(Crimp PIN)			SHEET	
CHK'D	Yeh Chou			SCALE	1:1	.x ±0.20 .xx ±0.10 .xxx ±0.05 .xxxx ±0.03 ANGULA ±1°			PART NO.	SEE TABLE A	DWG NO.	QC5428	VERSION	

NIAN YEONG ENTERPRISE
年永實業有限公司