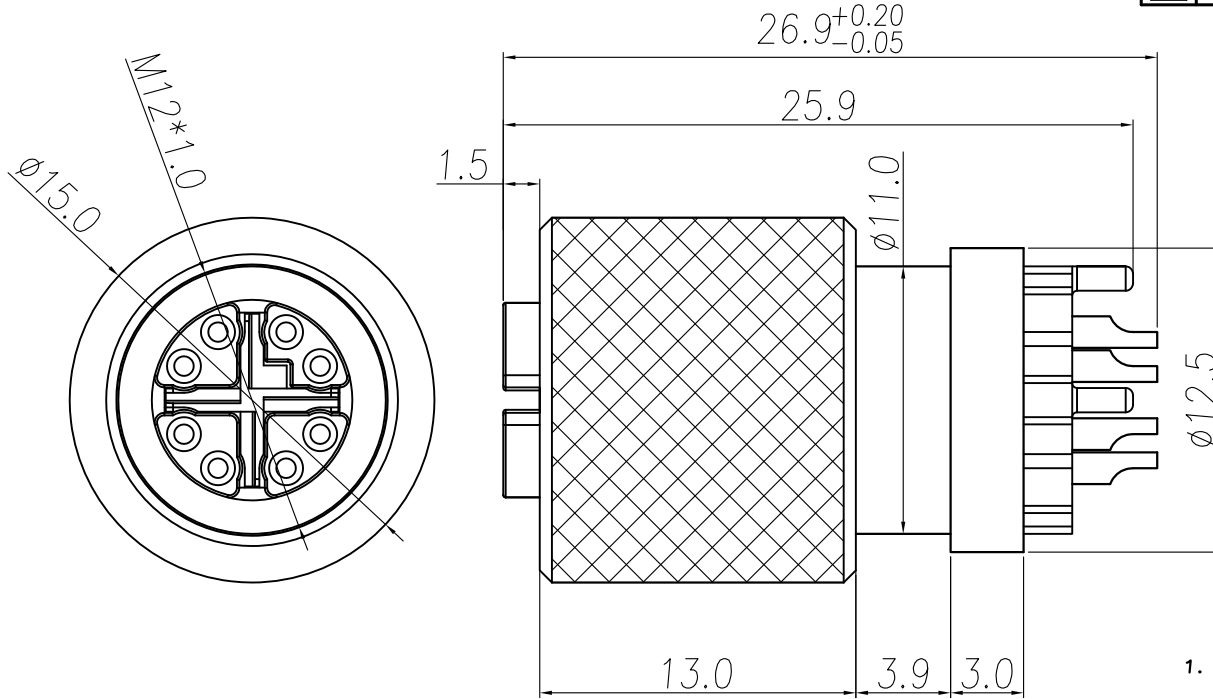


This document is the property of Nian-Yeong Corporation and is delivered on the express condition that it is not to be disclosed, reproduced or used, in whole or in part, for manufacture or sale by anyone other than Nian-Yeong Corporation without its prior consent, and that no right is granted to disclose or to use any information in this document.

CUSTOMER DRAWING

REV.	DESCRIPTION	APPROVED BY	DATE	ECN NO.
A	RELEASE	Fido Weng	19/06/19*	
B				
C				



- MATERIAL :
 - HOUSING : PA66 UL94V-0 ; COLOR : BLACK
 - CONTACT : BRASS
 - NUT : BRASS
 - SHELL : BRASS
 - O-RING : EPDM
 - X-SHELL : Zn ALLOY
- FINISH :
 - CONTACT : 10 MICRO INCHES MIN. GOLD PLATED
UNDER PLATE : NICKEL
 - NUT : NICKEL PLATED
 - SHELL : NICKEL PLATED
 - X-SHELL : NICKEL PLATED
- ELECTRICAL SPECIFICATION :
 - Rated current : 0.5A
 - Rated Voltage : 48V
 - Water proof: IP67/IP68
- Environmental :
 - Operation Temperature : $-40^{\circ}\text{C} \sim 85^{\circ}\text{C}$

DRAWN	Ku Chou	APPEND	Fido Weng	UNIT	mm	TOLERANCE				TITLE	防水頭 M12 8PIN X-Code(F) 焊線式+接地			SHEET	
CHOKED	Emily Suen			SCALE	1:1	.x ± 0.20 .xx ± 0.10 .xxx ± 0.05 .xxxx ± 0.03 ANGULA $\pm 1^{\circ}$				PART NO.	WP-08F2-120-11	DWG NO.	QC9666	VERSION	

NIAN YEONG ENTERPRISE
年永實業有限公司