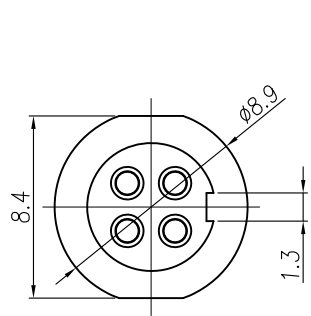


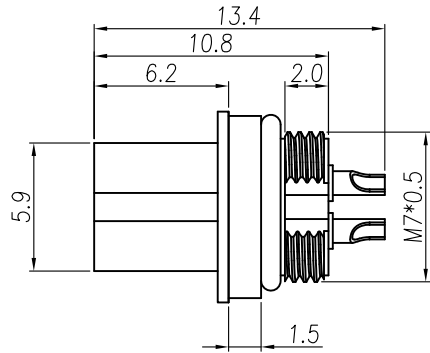
This document is the property of Nian-Yeong Corporation and is delivered on the express condition that it is not to be disclosed, reproduced or used, in whole or in part, for manufacture or sale by anyone other than Nian-Yeong Corporation without its prior consent, and that no right is granted to disclose or to use any information in this document.

CUSTOMER DRAWING

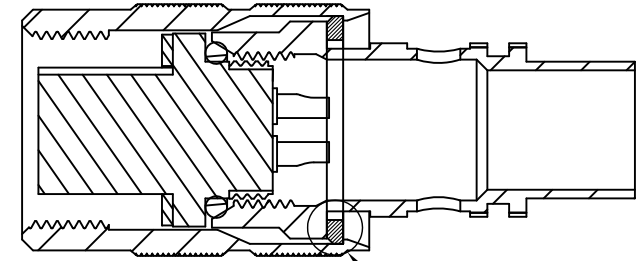
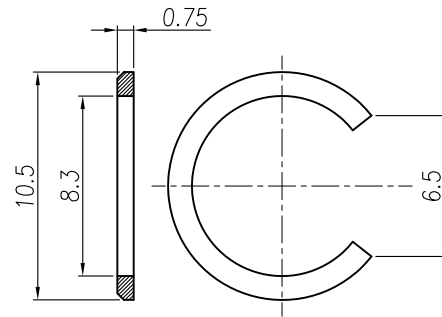
REV.	DESCRIPTION	APPROVED BY	DATE	ECN NO.
A	RELEASE	LEO	11/11/21*	
B				
C				
D				



HOUSING & CONTACT & O-RING

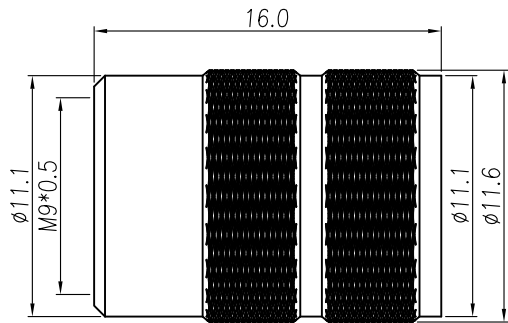


SPRING

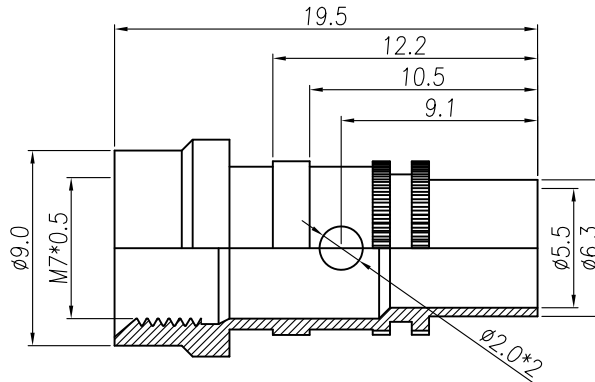


ASS'Y

將不鏽鋼環穿入到這個位置  
(倒角朝對插口面)



NUT



SHELL

- MATERIAL :
  - 1-1. HOUSING : PA66 UL94V-0 ; COLOR : BLACK
  - 1-2. CONTACT : BRASS.
  - 1-3. NUT : BRASS.
  - 1-4. O-RING A : EPDM ; COLOR : BLACK.
  - 1-5. O-RING B : SILICONE ; COLOR : BLACK.
  - 1-6. SPRING : STAINLESS STEEL.
  - 1-7. SHELL : BRASS.
- FINISH :
  - 2-1. CONTACT : GOLD FLASH
  - 2-2. NUT : NICKEL PLATED OVER ALL
  - 2-3. SHELL : NICKEL PLATED OVER ALL
- ELECTRICAL SPECIFICATION :
  - 3-1. Rated current(40°C) : 2~3P 4A; 4~5P 3A; 7~8P 1A
  - 3-2. Rated voltage : 125V
  - 3-3. Water proof : IP67
- Environmental :
  - 4-1. Operation Temperature : -25°C~70°C

WP-02F2-104-11	WP-03F2-171-11	WP-04F2-283-11	WP-05F2-217-11	WP-07F2-22-11	WP-08F2-134-11

DRAWN	LEO	APPEND	Emily Suen	UNIT	mm	TOLERANCE			TITLE	M9 (F) 線端成型式 (接地銅管)			SHEET
CHK'D	Emily Suen			SCALE	1:1	.x ±0.20 .xx ±0.10 .xxx ±0.05 .xxxx ±0.03 ANGULA ±1°			PART NO.	SEE TABLE A	DWG NO.	QC10288	VERSION

NIAN YEONG ENTERPRISE  
年永實業有限公司