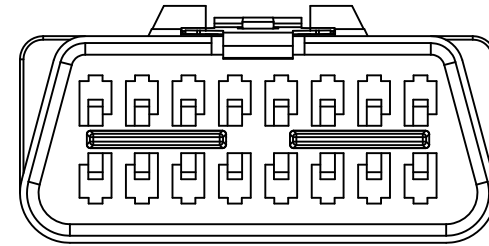
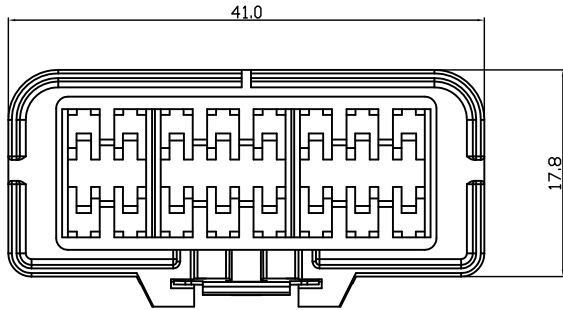


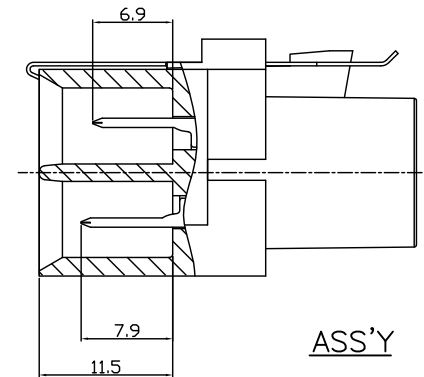
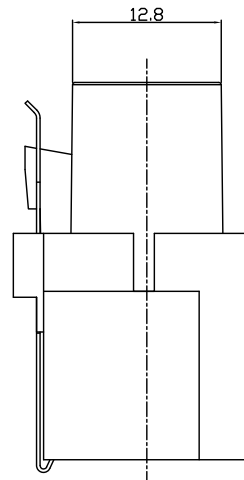
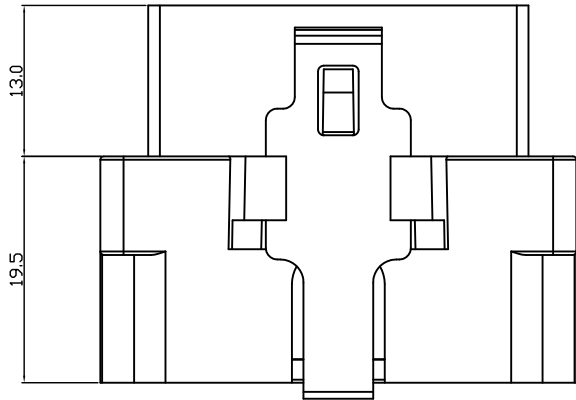
This document is the property of Nian-Yeong Corporation and is delivered on the express condition that it is not to be disclosed, reproduced or used, in whole or in part, for manufacture or sale by anyone other than Nian-Yeong Corporation without its prior consent, and that no right is granted to disclose or to use any information in this document.

CUSTOMER DRAWING

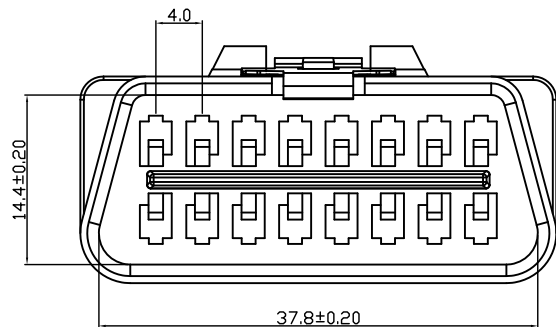
REV.	DESCRIPTION	APPROVED BY	DATE	ECN NO.
A	RELEASE	Yeh Chou	2021/12/23	
B				
C				
D				



NY-TE212-01 (24V)



ASS'Y



- MATERIAL :
 - 1-1. HOUSING : PBT UL94 V-0 ; COLOR : BLACK
 - 1-2. CONTACT : PHOSPHORUS BRONZE
 - 1-3. SPRING : STAINLESS STEEL
- FINISH :
 - 2-1. CONTACT : BRIGHT TIN 100u"

DRAWN	YEH CHOU	APP'D	KU CHOU	UNIT	mm	TOLERANCE		TITLE	QBD2 (M) 16PIN SPRING TYPE CONN			SHEET	
CHK'D	KU CHOU			SCALE	1:1	.x ±0.20 .xx ±0.10 .xxx ±0.05 .xxxx ±0.03 ANGULA ±1°			PART NO.	NY-TE211-01	DWG NO.	QC10319	VERSION A

NIAN YEONG ENTERPRISE
年永實業有限公司