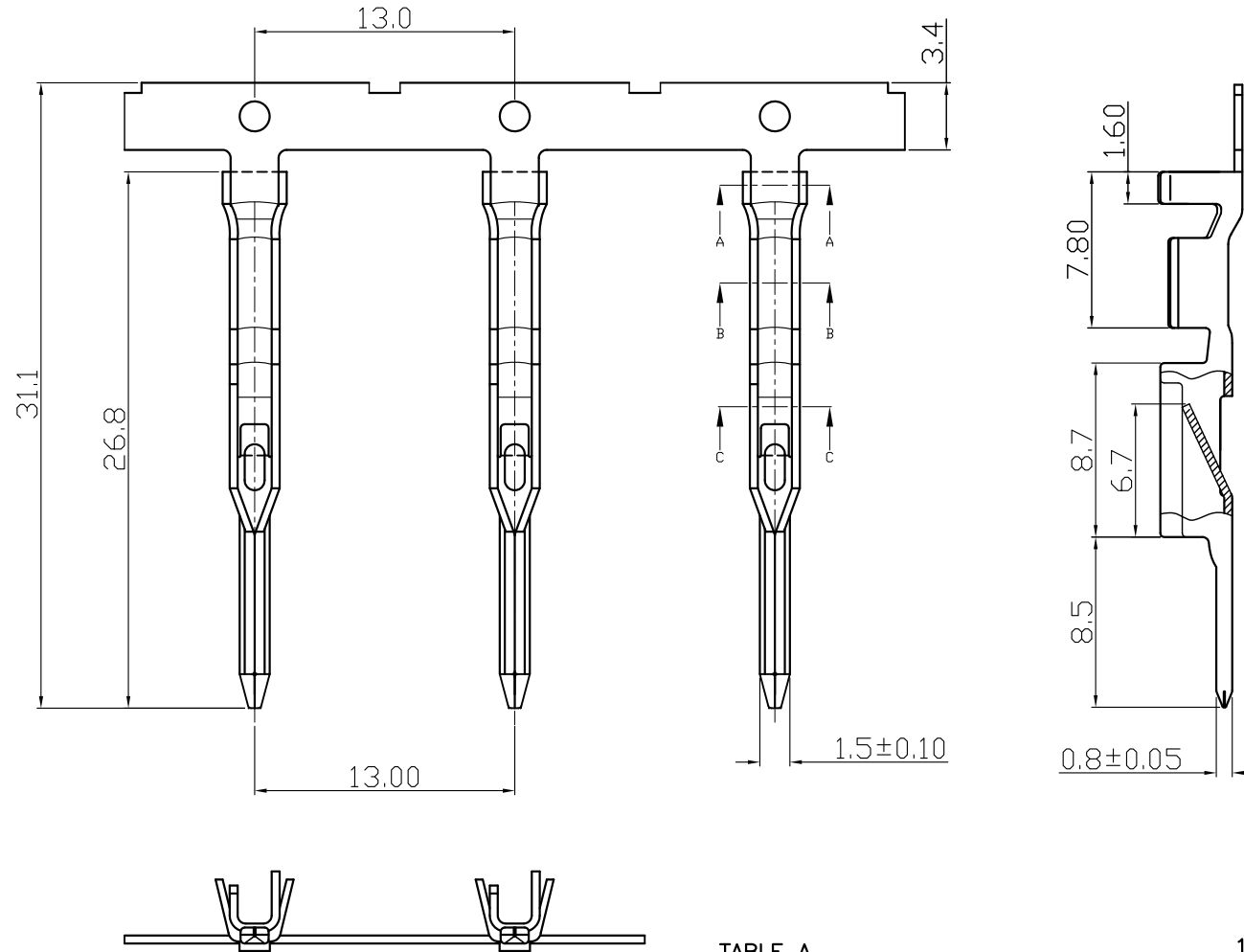


This document is the property of Nian-Yeong Corporation and is delivered on the express condition that it is not to be disclosed, reproduced or used, in whole or in part, for manufacture or sale by anyone other than Nian-Yeong Corporation without its prior consent, and that no right is granted to disclose or to use any information in this document.

CUSTOMER DRAWING

REV.	DESCRIPTION	APPROVED BY	DATE	ECN NO.
A	RELEASE	Yeh Chou	2021/12/23	
B				
C				
D				



SECTION A-A

SECTION B-B

SECTION C-C

TABLE A

OY-TE0542-00	TIN 100u" MIN.
OY-TE1542-00	SOURCE MATERIAL/素材
P/N	FINISH

1.MATERIAL:

- 1-1.TERMINAL : PHOSPHORUS BRONZE T=0.40±0.015mm.
- 2-1.PLATING : BRIGHT TIN 100u" MIN
UNDERPLATED NICKEL OVER ALL 50u" MIN.
- 3-1.WIRE RANGE : 22-20 AWG

DRAWN	YEH CHOU	APP'D	KU CHOU	UNIT	mm	TOLERANCE		TITLE	DBD2 SPRING TYPE CRIMP PINK(TIN 100u")			SHEET			
CHK'D	KU CHOU			SCALE	1:1	.x ±0.10 .xx ±0.05 .xxx ±0.03 .xxxx ±0.01 ANGULA ±1°				NIAN YEONG ENTERPRISE 年永實業有限公司	PART NO.	SEE TABLE A	DWG NO.	QC10322	VERSION A