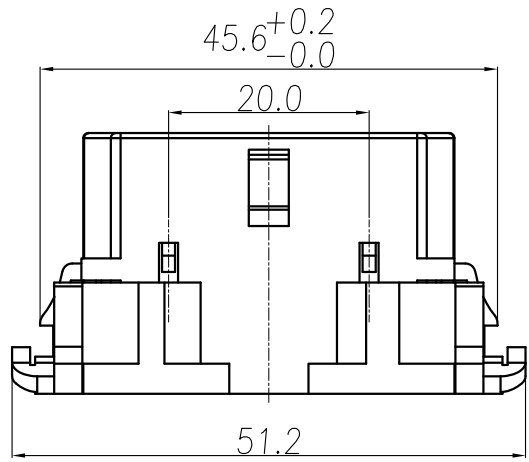
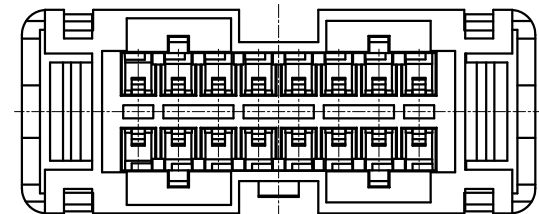
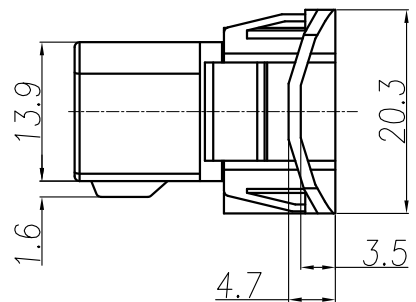
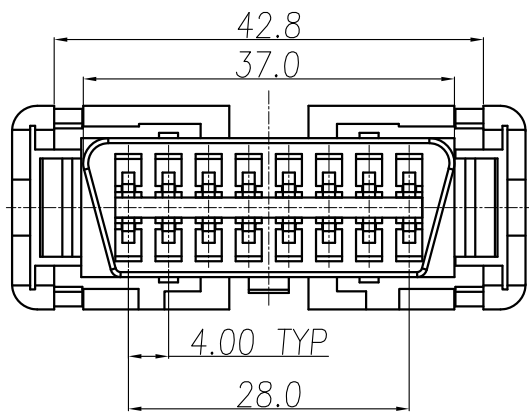
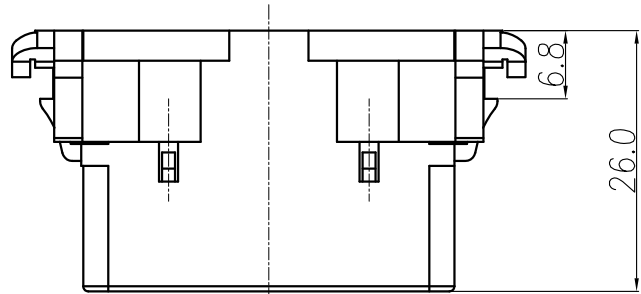


This document is the property of Nian-Yeong Corporation and is delivered on the express condition that it is not to be disclosed, reproduced or used, in whole or in part, for manufacture or sale by anyone other than Nian-Yeong Corporation without its prior consent, and that no right is granted to disclose or to use any information in this document.

CUSTOMER DRAWING

REV.	DESCRIPTION	APPROVED BY	DATE	ECN NO.
A	RELEASE	Yeh Chou	2010/02/26	
B				
C				
D				



NOTE/備註:  
1. MATERIAL/材質 : NYLON 66+15%GF/尼龍66+15%玻纖

DRAWN	Yeh Chou	APPVL	Ku Chou	UNIT	mm	TOLERANCE		TITLE	OBD2 16POS RECEPTACLE(INSET),HOUSING			SHEET	
CHK'D	Emily Suen			SCALE	1:1	.x ±0.20 .xx ±0.10 .xxx ±0.05 .xxxx ±0.03 ANGULA ±1°		PART NO.	ON-TE0167	DWG NO.	QC3814	VERSION	

NIAN YEONG ENTERPRISE  
年永實業有限公司