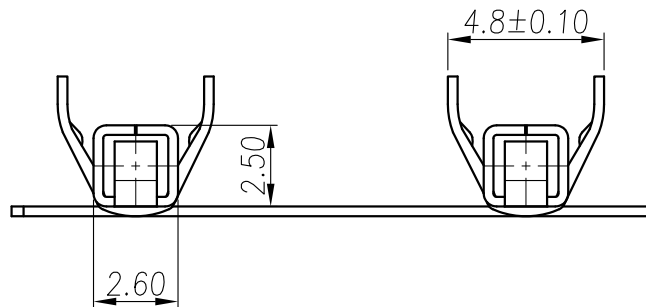
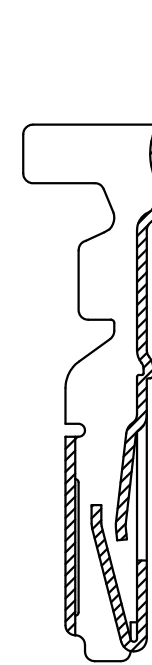
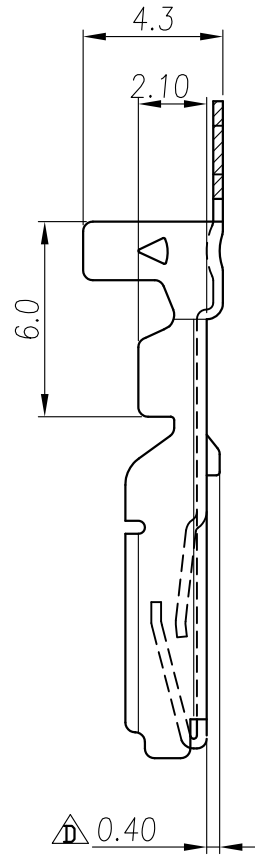
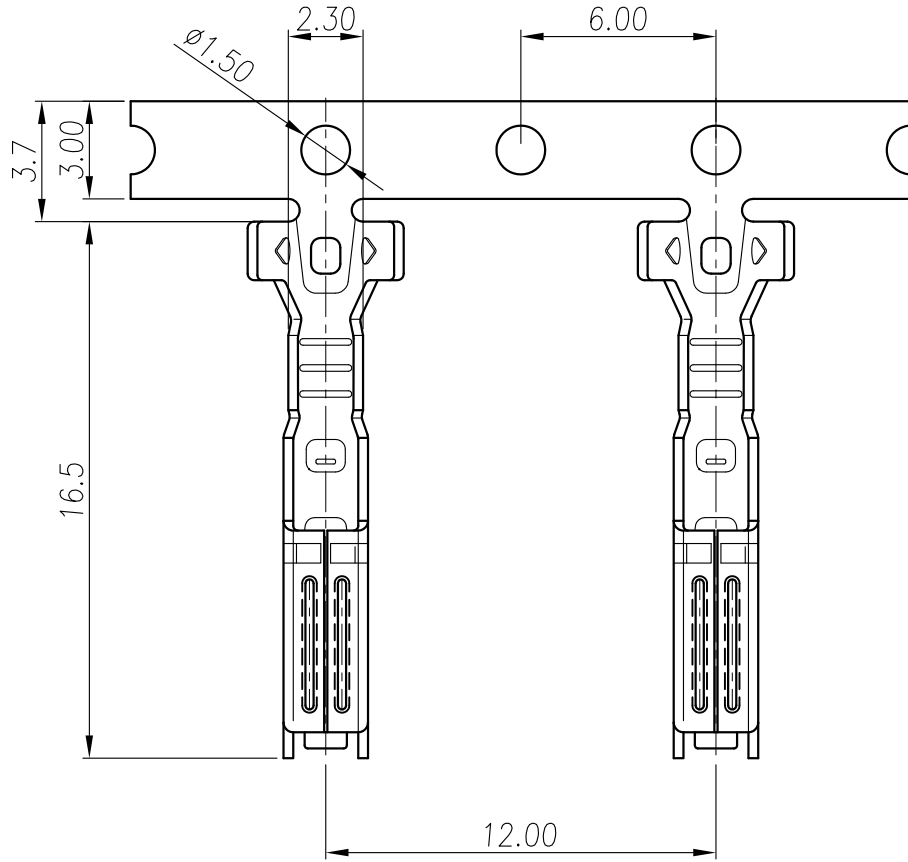


This document is the property of Nian-Yeong Corporation and is delivered on the express condition that it is not to be disclosed, reproduced or used, in whole or in part, for manufacture or sale by anyone other than Nian-Yeong Corporation without its prior consent, and that no right is granted to disclose or to use any information in this document.

CUSTOMER DRAWING

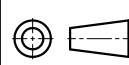
REV.	DESCRIPTION	CHANGE BY	APPVL. BY	DATE	ECN NO.
A	RELEASE	JEN	Fido Wang	10/12/08'	ECN08019
B	變更TABLE A	Yeh	Fido Wang	16/09/09'	
C	變更尺寸	Yeh	Fido Wang	09/10/09'	
D	尺寸改變	KU	Fido Wang	17/08/15'	



NOTE:
 1. MATERIAL: BRASS T=0.30mm
 2. PLATING: SEE TABLE A
 NICKEL OVER ALL 60u" MIN

P/N.	DESCRIPTION	PLATING
OY-TE0286	OBD2 (F) 端子	GOLD FLASH ON CONTACT AREA
OY-TE0104	OBD2 (F) 端子	BRIGHT TIN OVER ALL 60u" MIN
OY-TE1104	OBD2 (F) 端子	素材

DRAW	Yeh Chou	APPVL	Emily Suen	UNIT	mm	TOLERANCE
CHECK	Emily Suen			SCALE	1:1	.x ±0.10 .xx ±0.05 .xxx ±0.03 .xxxx ±0.01 ANGULA ±1°



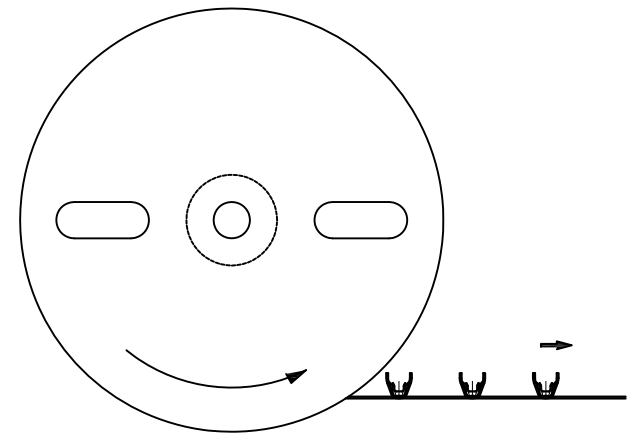
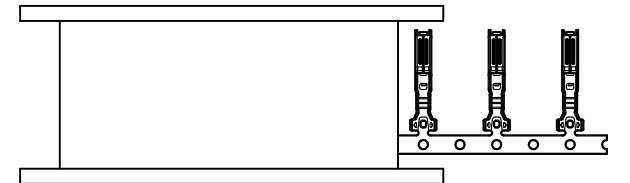
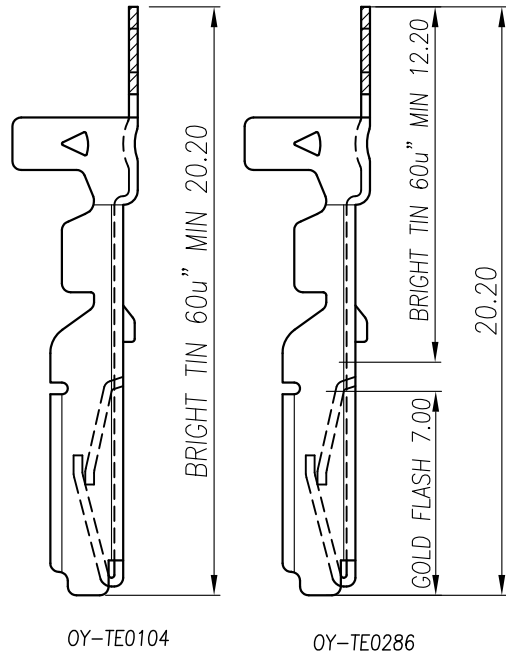
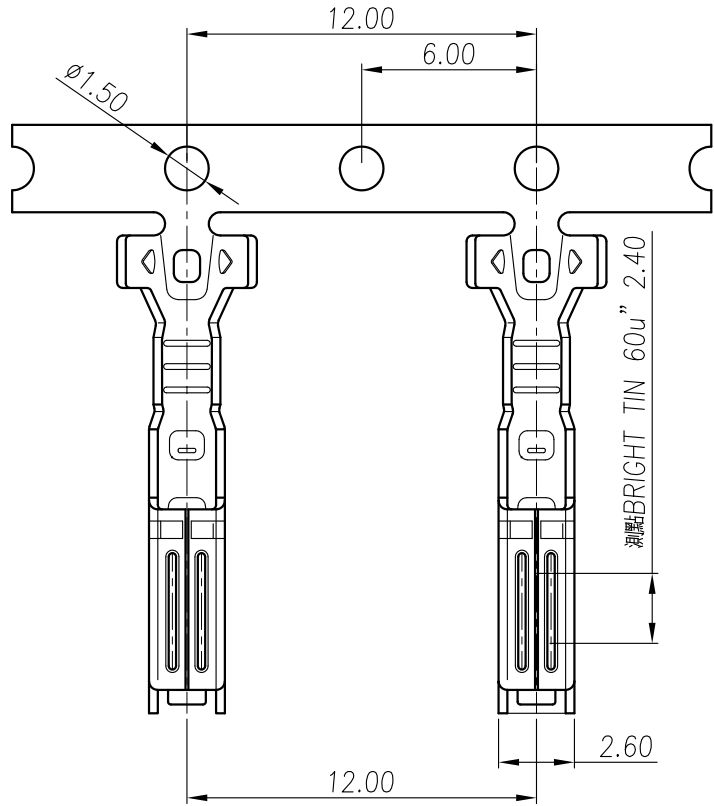
NIAN YEONG ENTERPRISE
 年永實業有限公司

TITLE	OBD2 (F) 端子			SHEET	1/2
PART NO.	SEE TABLE A	DWG NO.	QC1326	VERSION	D

This document is the property of Nian-Yeong Corporation and is delivered on the express condition that it is not to be disclosed, reproduced or used, in whole or in part, for manufacture or sale by anyone other than Nian-Yeong Corporation without its prior consent, and that no right is granted to disclose or to use any information in this document.

CUSTOMER DRAWING

REV.	DESCRIPTION	CHANGE BY	APPVL. BY	DATE	ECN NO.
A	RELEASE	JEN	Fido Wang	10/12/08'	ECN08019
B					
C					



PULL OUT DIRECTION

NOTE:

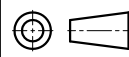
1. MATERIAL: BRASS T=0.30mm

2. PLATING: SEE TABLE A
NICKEL OVER ALL 60u" MIN

TABLE A

P/N.	DESCRIPTION	PLATING
OY-TE0286	OBD2 (F) 端子	GOLD FLASH ON CONTACT AREA
OY-TE0104	OBD2 (F) 端子	BRIGHT TIN OVER ALL 60u" MIN
OY-TE1104	OBD2 (F) 端子	素材

DRAW	Yeh Chou	APPVL	Emily Suen	UNIT	mm	TOLERANCE
CHECK	Emily Suen			SCALE	1:1	ANGULA ±1°



NIAN YEONG ENTERPRISE
年永實業有限公司

TITLE	OBD2 (F) 端子			VERSION	2
PART NO.	SEE TABLE A	DWG NO.	QC1326	VERSION	D