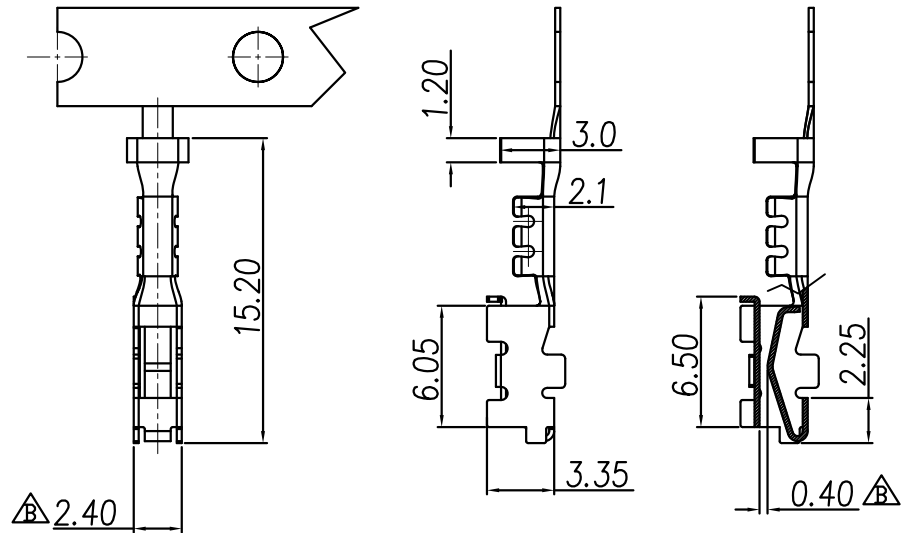
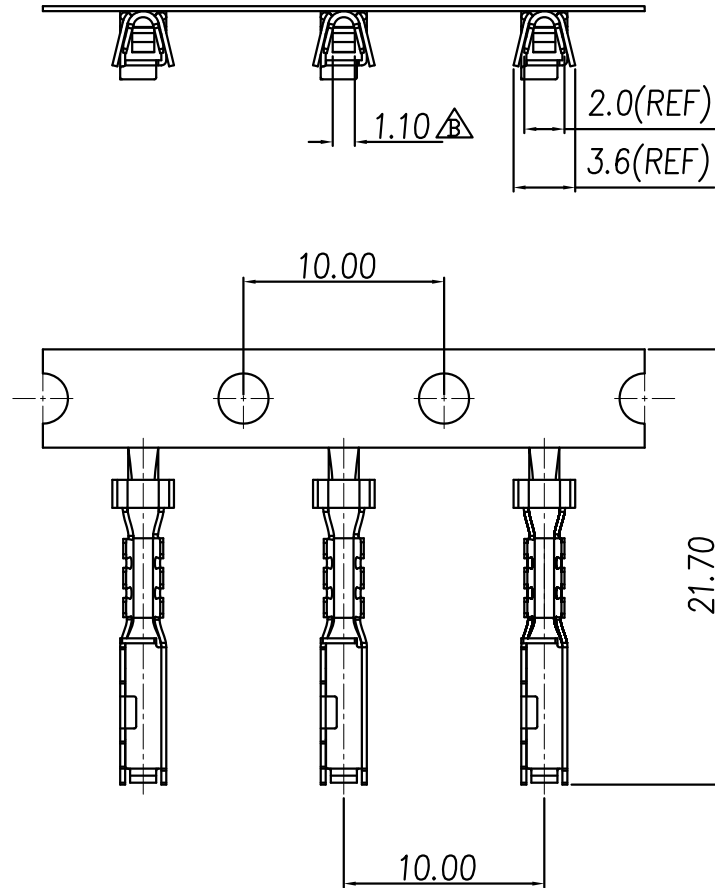


This document is the property of Nian-Yeong Corporation and is delivered on the express condition that it is not to be disclosed, reproduced or used, in whole or in part, for manufacture or sale by anyone other than Nian-Yeong Corporation without its prior consent, and that no right is granted to disclose or to use any information in this document.

CUSTOMER DRAWING

REV.	DESCRIPTION	APPROVED BY	DATE	ECN NO.
A	RELEASE	Yeh Chou	2017/xx/xx	
B	尺寸變更	Yeh Chou		
C				
D				



NOTE/備註

- MATERIAL/材質 : PHOSPHOR BRONZE/磷青銅
- FINISH/後處理 : SEE TABLE A/見表A  
UNDER PLATE: NICKEL.

TABLE A

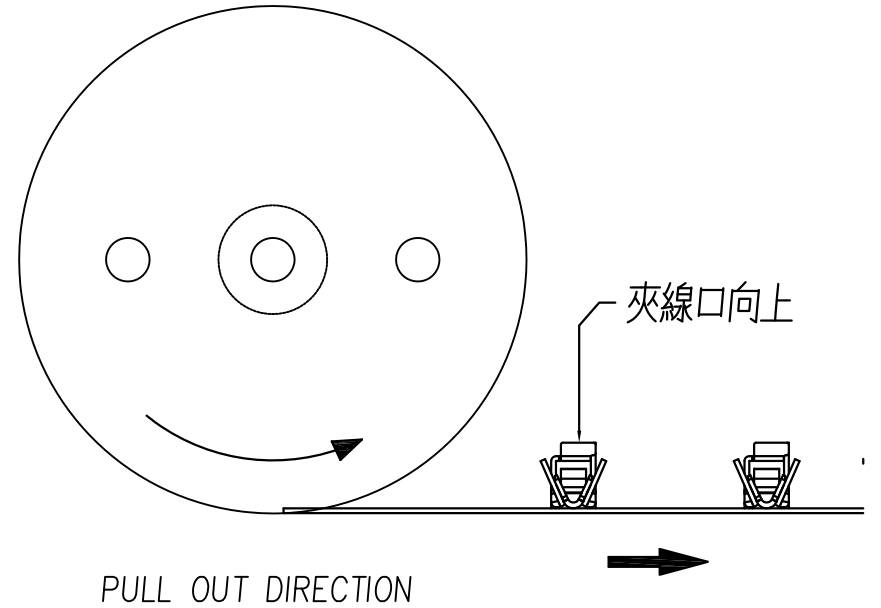
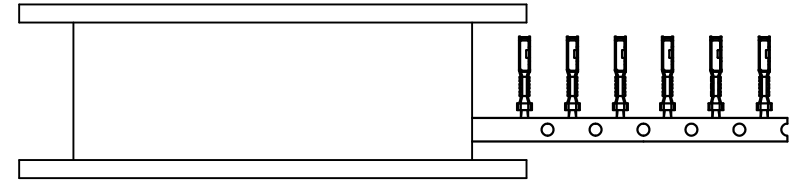
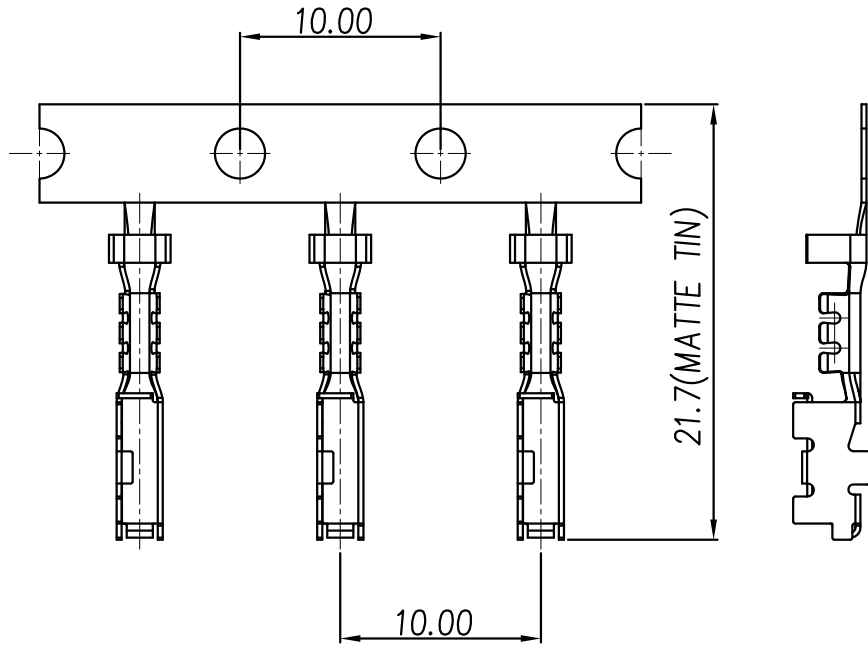
OY-TE0250	MATTE TIN 60u"~100u" OVER ALL
OY-TE1250	SOURCE MATERIAL/素材

DRAWN	Yeh Chou	APPVL	Ku Chou	UNIT	mm	TOLERANCE		<b>NIAN YEONG ENTERPRISE</b> 年永實業有限公司	TITLE	OBD2 16POS RECEPTACLE, TERMINAL			SHEET	1/2
CHK'D	Emily Suen			SCALE	1:1	.x ±0.20 .xx ±0.10 .xxx ±0.05 .xxxx ±0.03 ANGULA ±1°			PART NO.	SEE TABLE A	DWG NO.	QC3794	VERSION	B

This document is the property of Nian-Yeong Corporation and is delivered on the express condition that it is not to be disclosed, reproduced or used, in whole or in part, for manufacture or sale by anyone other than Nian-Yeong Corporation without its prior consent, and that no right is granted to disclose or to use any information in this document.

CUSTOMER DRAWING

REV.	DESCRIPTION	APPROVED BY	DATE	ECN NO.
A	RELEASE	Yeh Chou	2017/xx/xx	
B				
C				
D				



NOTE/備註

- MATERIAL/材質 : PHOSPHOR BRONZE/磷青銅
- FINISH/後處理 : SEE TABLE A/見表A  
UNDER PLATE: NICKEL.

TABLE A

OY-TE0250	MATTE TIN 60u"~100u" OVER ALL
OY-TE1250	SOURCE MATERIAL/素材

DRAWN	Yeh Chou	APPVL	Ku Chou	UNIT	mm	TOLERANCE		<b>NIAN YEONG ENTERPRISE</b> 年永實業有限公司	TITLE	OBD2 16POS RECEPTACLE, TERMINAL			SHEET	2
CHK'D	Emily Suen			SCALE	1:1	.x ±0.20 .xx ±0.10 .xxx ±0.05 .xxxx ±0.03 ANGULA ±1°			PART NO.	SEE TABLE A	DWG NO.	QC3794	VERSION	A