

This document is the property of Nian-Yeong Corporation and is delivered on the express condition that it is not to be disclosed, reproduced or used, in whole or in part, for manufacture or sale by anyone other than Nian-Yeong Corporation without its prior consent, and that no right is granted to disclose or to use any information in this document.

CUSTOMER DRAWING

REV.	DESCRIPTION	APPROVED BY	DATE	ECN NO.
A	RELEASE	Fido Weng	09/05/23*	
B				
C				

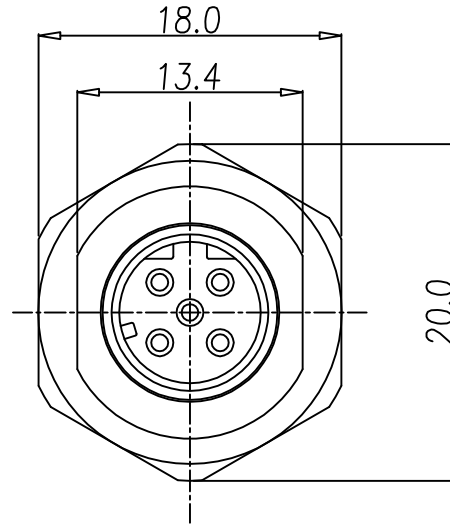
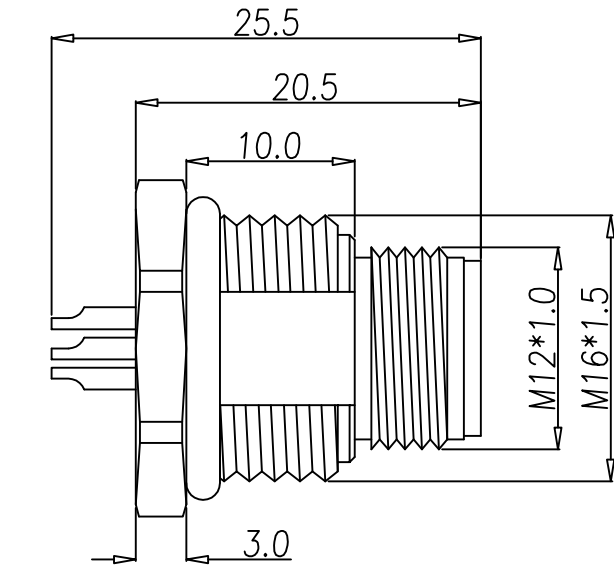
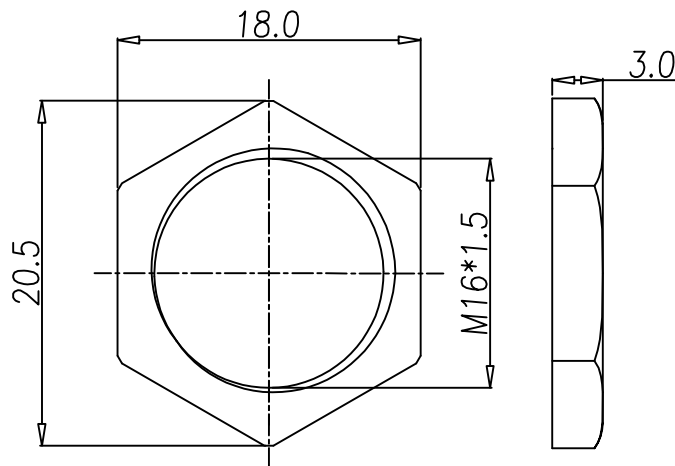
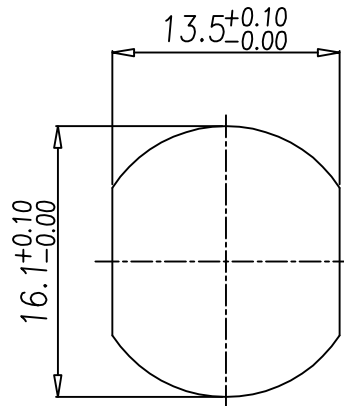


TABLE A

<p>5PIN</p>	<p>4PIN</p>
WP-05M2-214-11	WP-04M2-247-11



NUT



RECOMMEND PANEL CUT-OUT

- MATERIAL :
  - 1-1. HOUSING : PBT UL94V-0 ; COLOR : BLACK
  - 1-2. CONTACT : BRASS
  - 1-3. NUT : BRASS
  - 1-4. SHELL : BRASS
  - 1-5. O-RING : EPDM ; COLOR : BLACK
- FINISH :
  - 2-1. CONTACT : 10 MICRO INCHES MIN. GOLD PLATED
  - 2-2. NUT : NICKEL PLATED.
  - 2-3. SHELL : NICKEL PLATED.
- ELECTRICAL SPECIFICATION :
  - 3-1. Rated current : 4A
  - 3-2. Rated Voltage : 4PIN 250V ; 5PIN 60V
  - 3-3. Water proof : IP67
- Environmental :
  - 4-1. Operation Temperature : -40℃~85℃

DRAWN	Mark Kao	APPEND	Emily Suen	UNIT	mm	TOLERANCE		TITLE	M12 (M) D-Code 前鎖M16*1.5 焊線式			SHEET	
CHOKED	Ku Chou			SCALE	1:1	.x ±0.20 .xx ±0.10 .xxx ±0.05 .xxxx ±0.03 ANGULA ±1°		PART NO.	SEE TABLE A	DWG NO.	QC10671	VERSION	

NIAN YEONG ENTERPRISE  
年永實業有限公司