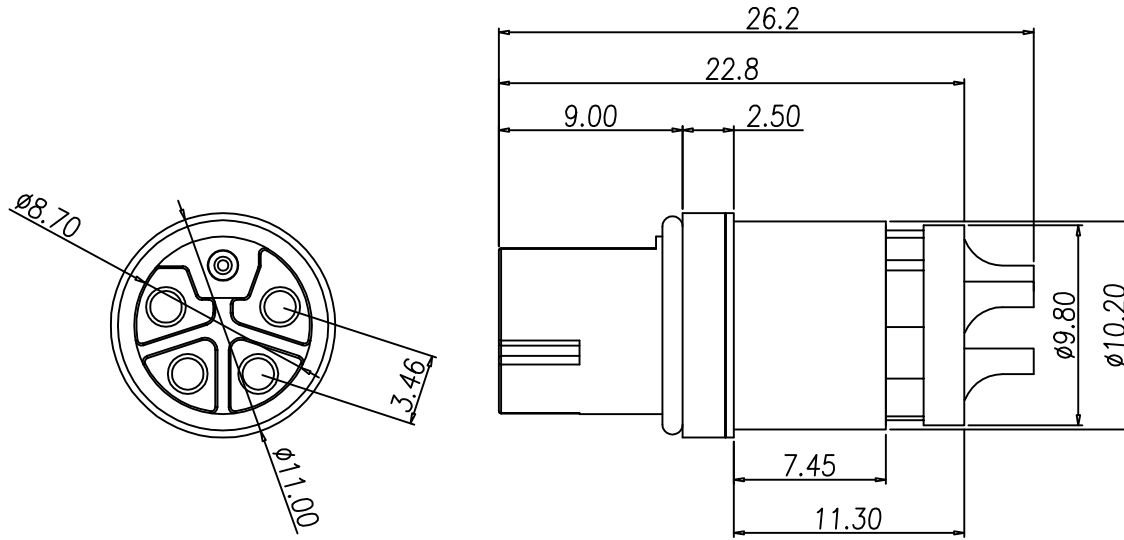


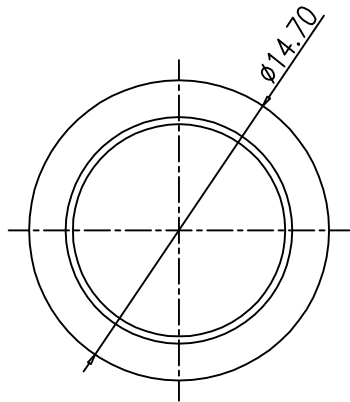
This document is the property of Nian-Yeong Corporation and is delivered on the express condition that it is not to be disclosed, reproduced or used, in whole or in part, for manufacture or sale by anyone other than Nian-Yeong Corporation without its prior consent, and that no right is granted to disclose or to use any information in this document.

CUSTOMER DRAWING

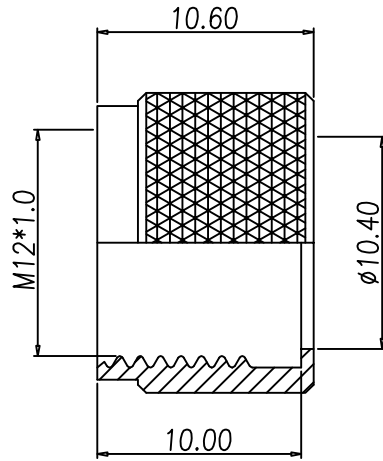
REV.	DESCRIPTION	APPROVED BY	DATE	ECN NO.
A	RELEASE	Fido Weng	25/04/17*	
B				
C				



- MATERIAL :
  - HOUSING : PA66 UL94V-0 ; COLOR : BLACK
  - CONTACT : BRASS
  - NUT : SEE TABLE A
  - O-RING : EDPM
  - SHELL : SEE TABLE A
- FINISH :
  - CONTACT : 10 MICRO INCHES MIN. GOLD PLATED  
UNDER PLATE : NICKEL
  - NUT : SEE TABLE A
  - SHELL : SEE TABLE A
- ELECTRICAL SPECIFICATION :
  - Rated current : 16A
  - Rated Voltage : 63V
  - Water proof: IP67/68
- Environmental :
  - Operation Temperature : -40°C~105°C



NUT



5PIN(4+FE)	4PIN(3+FE)	3PIN(2+FE)
WP-05F2-200-11 WP-05F2-201-11 WP-05F2-131-11	WP-04F2-302-11	WP-03F2-178-11
4PIN	3PIN	2PIN
WP-04F2-301-11	WP-03F2-177-11	WP-02F2-111-11

TABLE A

PART No.	MATERIAL(SHELL)	FINISH(SHELL)	MATERIAL(NUT)	FINISH(NUT)
WP-05F2-200-11	STAINLESS STEEL 316	PASSIVATION	STAINLESS STEEL 316	PASSIVATION
WP-05F2-201-11	BRASS	BRIGHT TIN PLATED	STAINLESS STEEL 316	PASSIVATION
WP-05F2-131-11	BRASS	BRIGHT TIN PLATED	BRASS	NICKEL PLATED
WP-04F2-302-11	BRASS	BRIGHT TIN PLATED	BRASS	NICKEL PLATED
WP-04F2-301-11	BRASS	BRIGHT TIN PLATED	BRASS	NICKEL PLATED
WP-03F2-178-11	BRASS	BRIGHT TIN PLATED	BRASS	NICKEL PLATED
WP-03F2-177-11	BRASS	BRIGHT TIN PLATED	BRASS	NICKEL PLATED
WP-02F2-111-11	BRASS	BRIGHT TIN PLATED	BRASS	NICKEL PLATED

DRAWN	KU	APPEND	Ku Chou	UNIT	mm	TOLERANCE				TITLE	M12 L-CODE (F) 成形線式			SHEET	
CHOKED	Emily Suen			SCALE	1:1	.x ±0.20 .xx ±0.10 .xxx ±0.05 .xxxx ±0.03 ANGULA ±1*				PART NO.	SEE TABLE A	DWG NO.	QC7944	VERSION	

NIAN YEONG ENTERPRISE  
年永實業有限公司