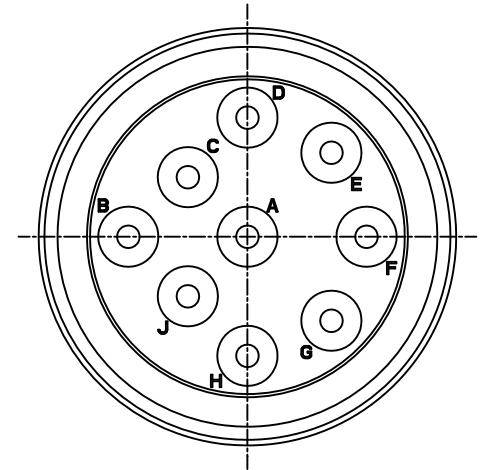
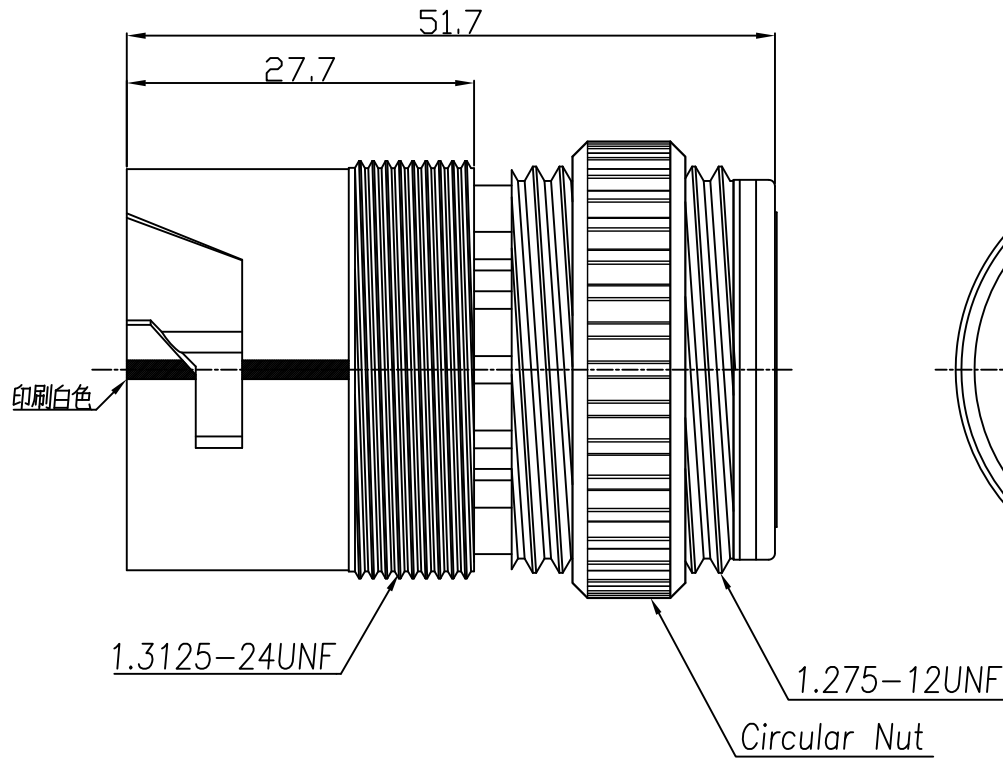
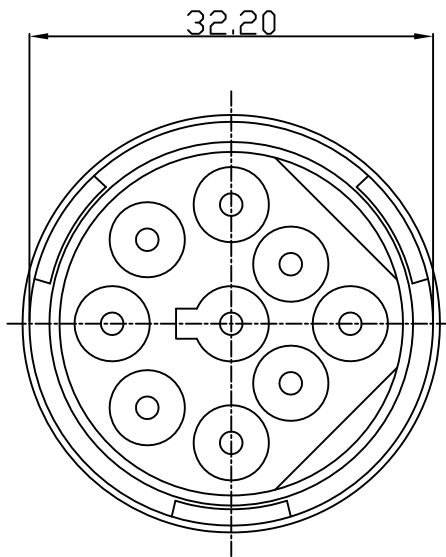


This document is the property of Nian-Yeong Corporation and is delivered on the express condition that it is not to be disclosed, reproduced or used, in whole or in part, for manufacture or sale by anyone other than Nian-Yeong Corporation without its prior consent, and that no right is granted to disclose or to use any information in this document.

CUSTOMER DRAWING

REV.	DESCRIPTION	APPROVED BY	DATE	ECN NO.
A	RELEASE	Yeh Chou	2017/11/20	
B				
C				
D				

1. MATERIAL :
 - 1-1. INSULATOR : PA66 ; COLOR : BLACK
 - 1-2. HOUSING : PA66 ; COLOR : BLACK
 - 1-3. REAR COVER : PA66 ; COLOR : BLACK
 - 1-4. RUBBER : SILICONE ; COLOR : ORANGE
 - 1-5. CIRCULAR NUT : PA66 ; COLOR : BLACK
 - 1-6. HEXAGONAL NUT : PA66 ; COLOR : BLACK
 - 1-7. WASHER : PA66 ; COLOR : BLACK
 - 1-8. CLIP : PA66 ; COLOR : BLACK
 - 1-9. LABEL : PA66 ; COLOR : GREEN
2. ELECTRICAL SPECIFICATION :
 - 2-1. Rated current : 13A
 - 2-2. Rated Voltage : 500V
 - 2-3. Water proof : IP67
3. Environmental :
 - 3-1. Operation Temperature : -40°~105°

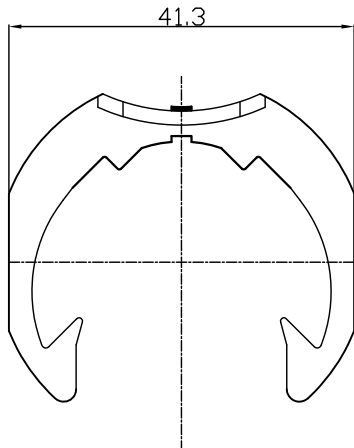


DRAWN	Yeh Chou	APP'D	Ku Chou	UNIT	mm	TOLERANCE		NIAN YEONG ENTERPRISE 年永實業有限公司	TITLE	Deutsch 9P (F) 插頭+配件			SHEET	1/2
CHK'D	Yeh Chou			SCALE	1:1	.x ±0.20 .xx ±0.10 .xxx ±0.05 .xxxx ±0.03 ANGULA ±1°			PART NO.	WP-09F2-29-01	DWG NO.	QC9412	VERSION	A

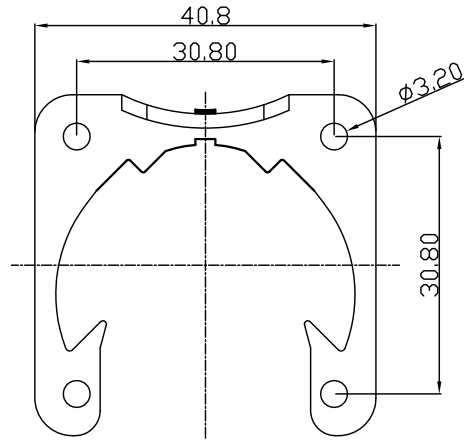
This document is the property of Nian-Yeong Corporation and is delivered on the express condition that it is not to be disclosed, reproduced or used, in whole or in part, for manufacture or sale by anyone other than Nian-Yeong Corporation without its prior consent, and that no right is granted to disclose or to use any information in this document.

CUSTOMER DRAWING

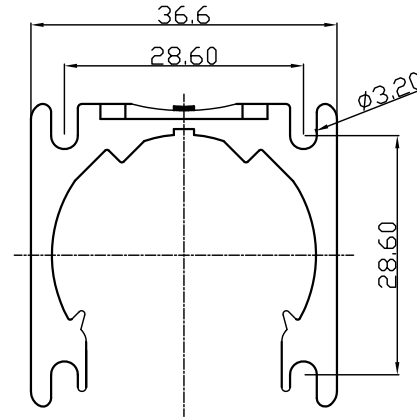
REV.	DESCRIPTION	APPROVED BY	DATE	ECN NO.
A	RELEASE	Yeh Chou	2017/11/20	
B				
C				
D				



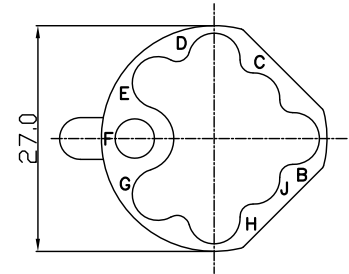
Jam Mount Clip (yellow)



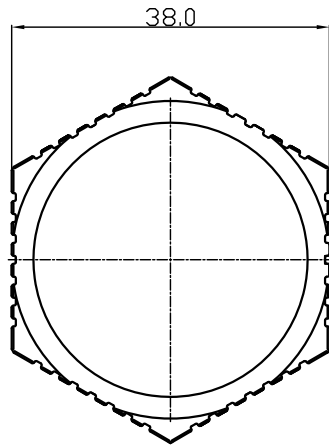
Screw Clip (red)



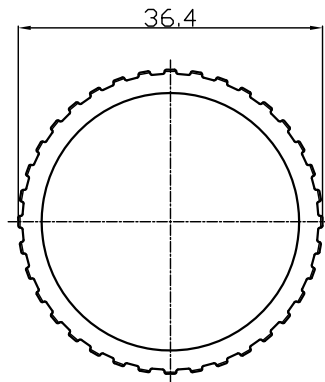
Flange Clip (blue)



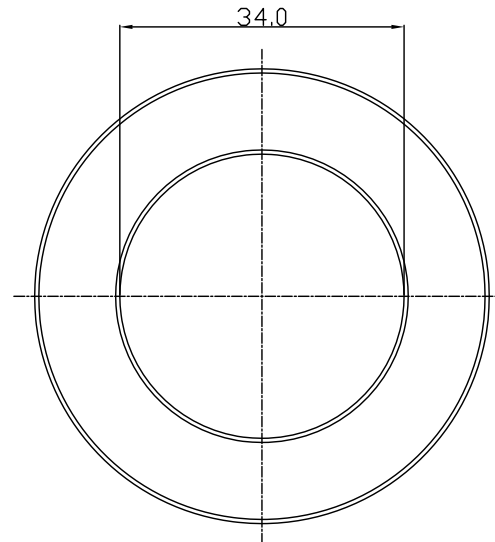
Type2 Indicator Label



Hexagonal Nut



Circular Nut



Washer

DRAWN	Yeh Chou	APP'D	Ku Chou	UNIT	mm	TOLERANCE		TITLE	Deutsch 9P (F) 機配式+配件			SHEET	2
CHK'D	Yeh Chou			SCALE	1:1	.x ±0.20 .xx ±0.10 .xxx ±0.05 .xxxx ±0.03 ANGULA ±1°		PART NO.	WP-09F2-29-01	DWG NO.	QC9412	VERSION	A
							NIAN YEONG ENTERPRISE						
							年永實業有限公司						

This document is the property of Nian-Yeong Corporation and is delivered on the express condition that it is not to be disclosed, reproduced or used, in whole or in part, for manufacture or sale by anyone other than Nian-Yeong Corporation without its prior consent, and that no right is granted to disclose or to use any information in this document.

CUSTOMER DRAWING

REV.	DESCRIPTION	APPVL. BY	DATE	ECN NO.
A	RELEASE	Fido Weng	29/12/15*	
B				
C				

步驟一:

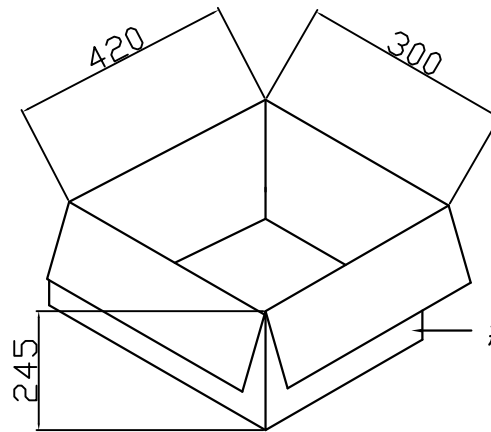
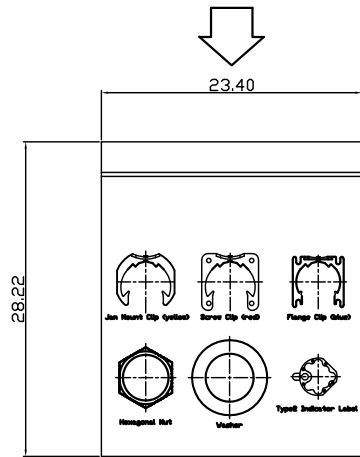
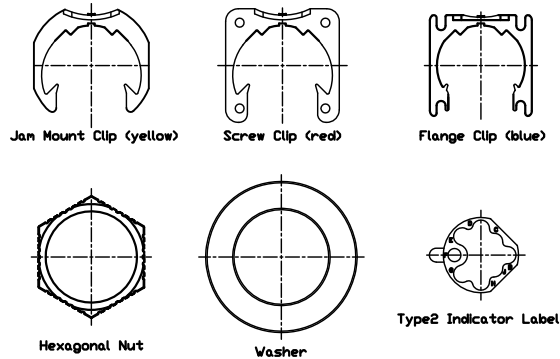
1. 將配件等六樣放入夾鏈袋內
2. 包裝方式, 如圖所示.

步驟二:

1. 一個紙箱可以裝200包配件包.
2. 將配件包放置紙箱中, 後封箱.

步驟三:

1. 用膠帶將紙箱封實.
2. 將標籤貼於紙箱上.



紙箱1.02材

ITEM NO:
 QTY: PGS
 N. W. : KG
 G. W. : KG
 MEAS:

標籤處

C/NO. :

NOTE:

1. 若有未裝滿之零數箱, 必須以緩衝材塞滿.
2. 在搬運過程中要輕拿輕放.
3. 載運輸中不可堆放過多, 不可有重壓現象.
4. 紙箱內層需裝防水袋.

DRAW	Ren	APPVL	Ku Chou	UNIT	mm	TOLERANCE			TITLE	Deutsch 9P (F) 裝配式+配件			SHEET	2/2
CHECK	Emily Suen			SCALE	1:1	.x ±0.20 .xx ±0.10 .xxx ±0.05 .xxxx ±0.03 ANGULA ±1°			PART NO.	WP-09F2-29-01	DWG NO.	QC9412	VERSION	A