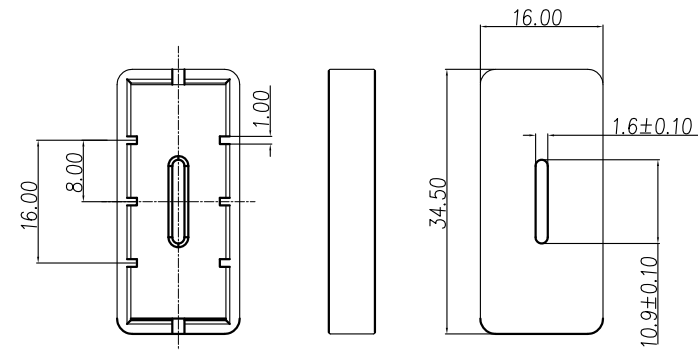
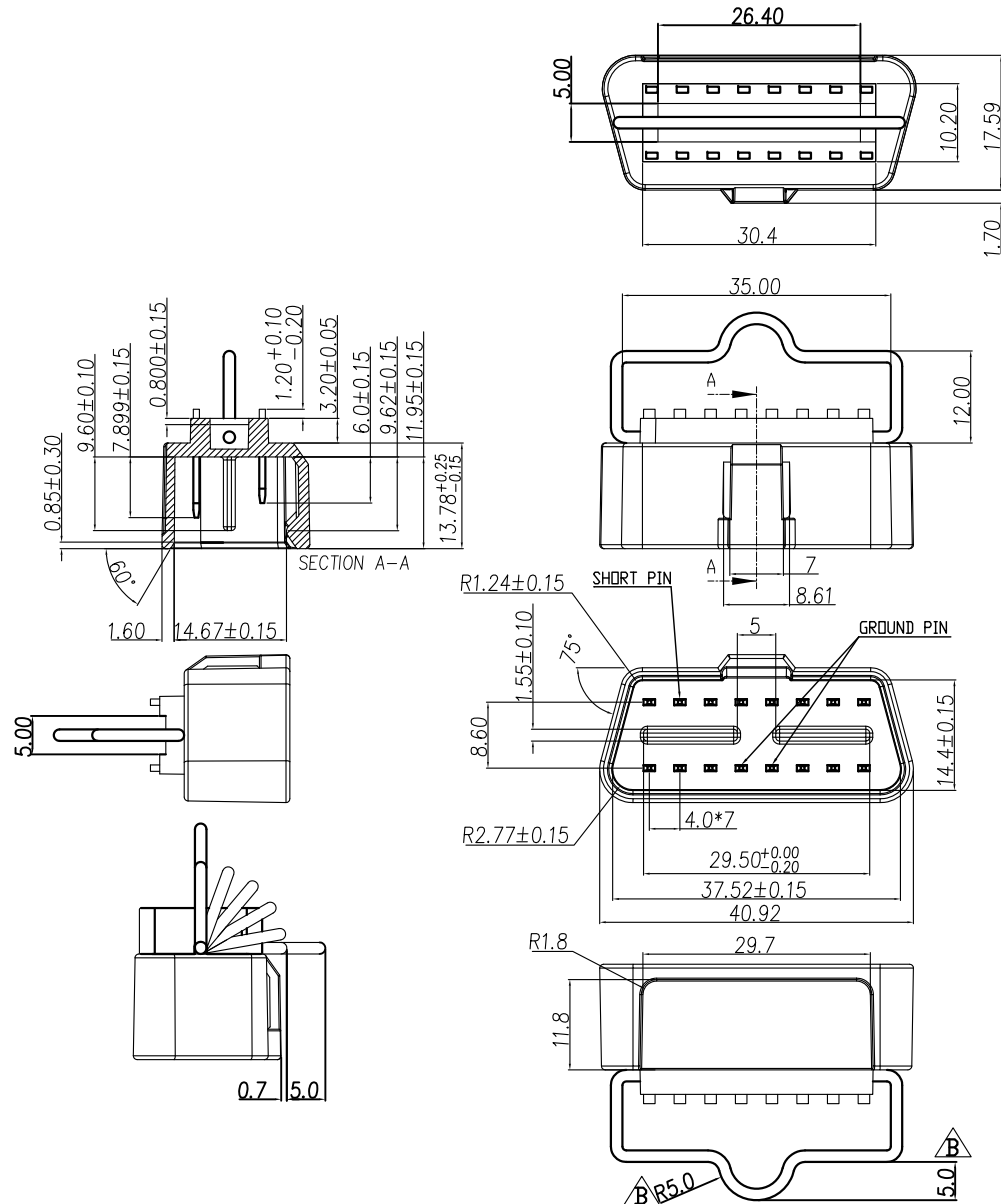


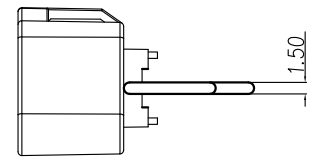
This document is the property of Nian-Yeong Corporation and is delivered on the express condition that it is not to be disclosed, reproduced or used, in whole or in part, for manufacture or sale by anyone other than Nian-Yeong Corporation without its prior consent, and that no right is granted to disclose or to use any information in this document.

CUSTOMER DRAWING

REV.	DESCRIPTION	APPVL. BY	DATE	ECN NO.
A	RELEASE	Fido Weng	21/11/12'	
B	拉環尺寸變更	Fido Weng	23/11/16'	
C				



COVER (DN-TE0237)



- MATERIAL :
 - 1-1. HOUSING : NYLON66+ GF 15% UL94V-0 ; COLOR : BLACK
 - 1-2. CONTACT : BRASS
 - 1-3. PULL TAB : STAINLESS STEEL .
- FINISH :
 - 2-1. CONTACT : GOLD PLATED 30u" ON CONTACT AREA, BRIGHT TIN ON SOLDER TAILS, UNDERPLATED NICKEL.
- Environmental :
 - 3-1. Operation Temperature : -40~85℃

DRAW	KU	APPVL	Emily Suen	UNIT	mm	TOLERANCE		NIAN YEONG ENTERPRISE 年永實業有限公司	TITLE	OBD2 16(M)雙層板成型式(附後蓋+拉環)			SHEET	
CHECK	Emily Suen			SCALE	1:1	.x ±0.25 .xx ±0.15 .xxx ±0.05 .xxxx ±0.03 ANGULA ±1°			PART NO.	OBD2-16M1-43	DWG NO.	QC6058	VERSION	

This document is the property of Nian-Yeong Corporation and is delivered on the express condition that it is not to be disclosed, reproduced or used, in whole or in part, for manufacture or sale by anyone other than Nian-Yeong Corporation without its prior consent, and that no right is granted to disclose or to use any information in this document.

CUSTOMER DRAWING

REV.	DESCRIPTION	APPVL. BY	DATE	ECN NO.
A	RELEASE	Fido Weng	29/12/15*	
B				
C				

步驟一:

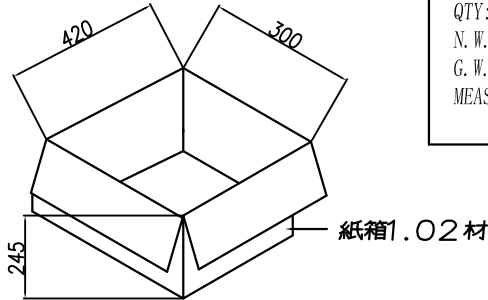
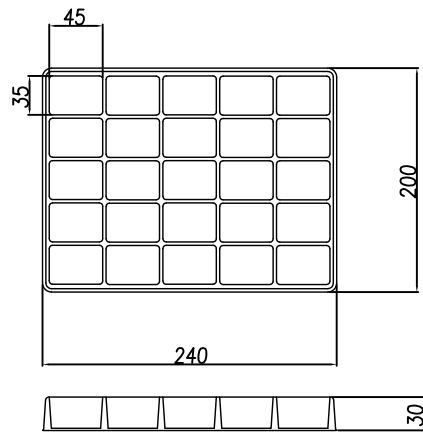
1. 將成品一一放入包裝盤內, 依同一方向置入.
2. 包裝方式, 如圖所示.
3. 一個包裝盤25pcs.
4. 裝滿盤後堆層至10盤止, 最上層為空盤做蓋子(共11盤)
5. 層疊11盤後, 在以膠膜固定

步驟二:

1. 一個紙箱可以裝20個包裝盤.
2. 每盤25pcs, 每箱500pcs.
3. 將包裝盤放紙箱中, 後封箱.

步驟三:

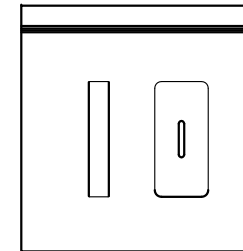
1. 用膠帶將紙箱封實.
2. 將標籤貼於紙箱上.



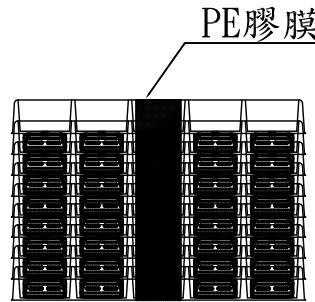
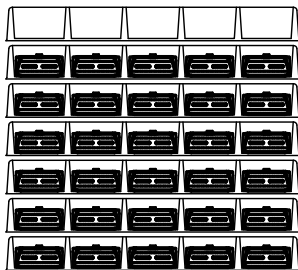
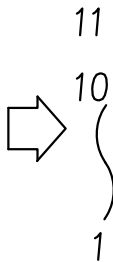
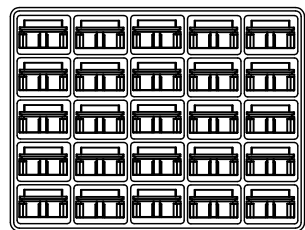
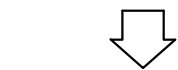
ITEM NO:
 QTY: PGS
 N. W. : KG
 G. W. : KG
 MEAS:

標籤處

C/NO. :



DN-TE0237 500PCS 一袋



實際層疊(含上層蓋為11層)

NOTE:

1. 若有未裝滿之零數箱, 必須以緩衝材塞滿.
2. 在搬運過程中要輕拿輕放.
3. 載運輸中不可堆放過多, 不可有重壓現象.
4. PE膠膜纏繞時不可緊綁.
5. 紙箱內層需裝防水袋.

DRAW	Ren	APPVL	Ku Chou	UNIT	mm	TOLERANCE		NIAN YEONG ENTERPRISE 年永實業有限公司	TITLE	OBD2 16(M) 雙隔板成型式(附後蓋+拉環)			SHEET	2/2
CHECK	Emily Suen			SCALE	1:1	.x ±0.20 .xx ±0.10 .xxx ±0.05 .xxxx ±0.03 ANGULA ±1°			PART NO.	OBD2-16M1-43	DWG NO.	QC6058	VERSION	A