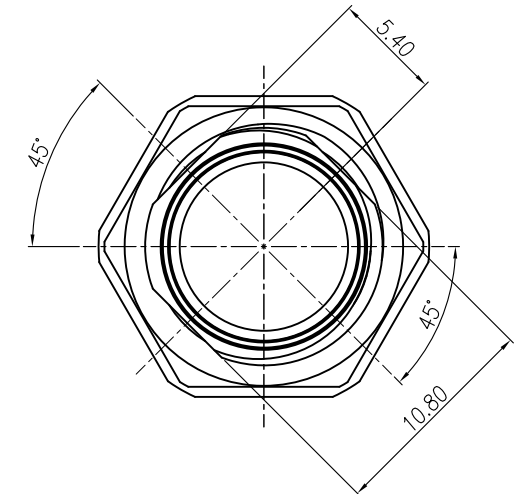
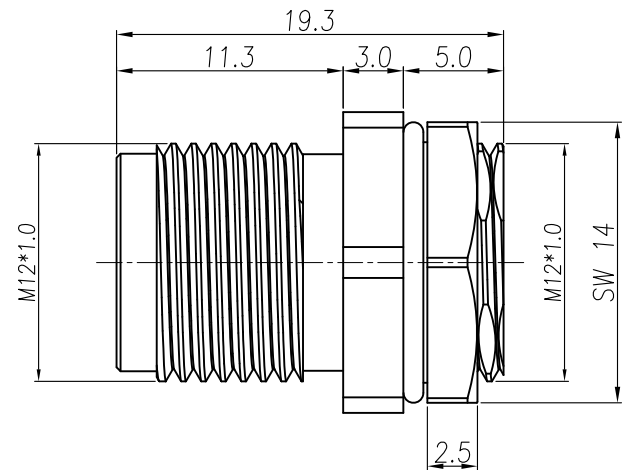
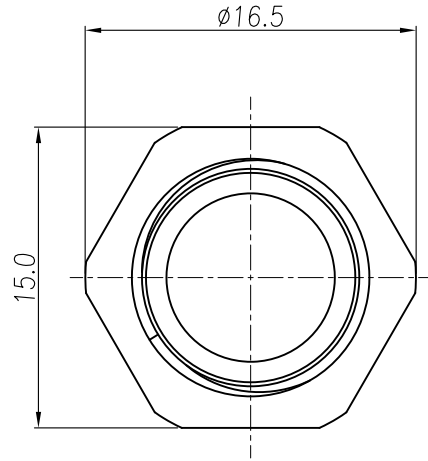


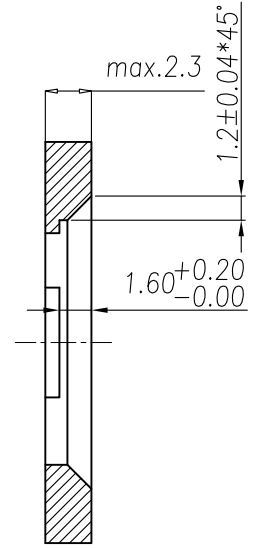
This document is the property of Nian-Yeong Corporation and is delivered on the express condition that it is not to be disclosed, reproduced or used, in whole or in part, for manufacture or sale by anyone other than Nian-Yeong Corporation without its prior consent, and that no right is granted to disclose or to use any information in this document.

CUSTOMER DRAWING

REV.	DESCRIPTION	APPROVED BY	DATE	ECN NO.
A	RELEASE	LED	12/12/22*	
B				
C				

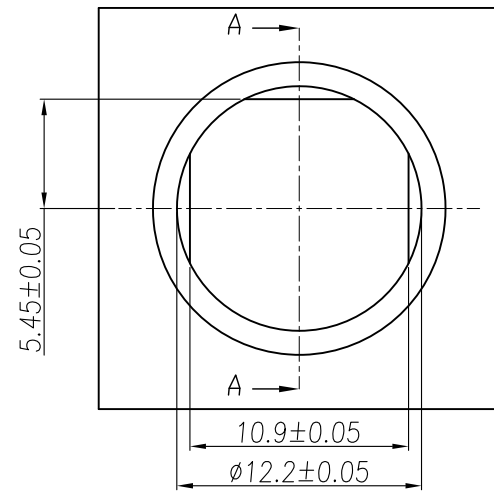


SHELL+O-RING +NUT



Section A-A

Installation recommendation



- MATERIAL :
 - SHELL : BRASS
 - O-RING : EPDM
 - NUT : BRASS
- FINISH :
 - SHELL : NICKEL PLATED
 - NUT : NICKEL PLATED
- ELECTRICAL SPECIFICATION :
 - Water proof : IP67 (correctly plugged in and locked)
- Ambient temperature :
 - 25 °C ~ 85 °C (operation Temperature)
 - 40 °C ~ 85 °C (storage temperature)

DRAWN	LED	APPEND	Fido Weng	UNIT	mm	TOLERANCE	NIAN YEONG ENTERPRISE		TITLE	M12 後M12*1.0 Two-piece (M) (L=19.3)			SHEET
CHOKED	Emily Suen			SCALE	1:1	.x ±0.20 .xx ±0.10 .xxx ±0.05 .xxxx ±0.03 ANGULA ±1°	年永實業有限公司		PART NO.	NY-WP2077-11	DWG NO.	QC10634	VERSION A