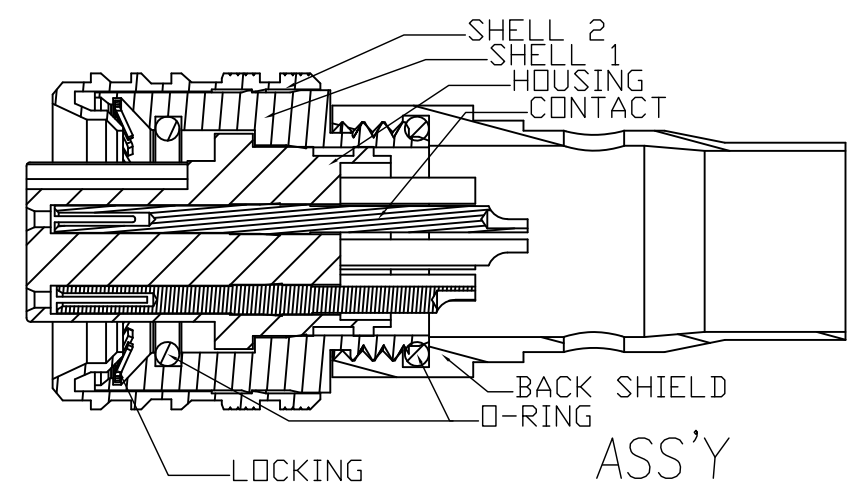
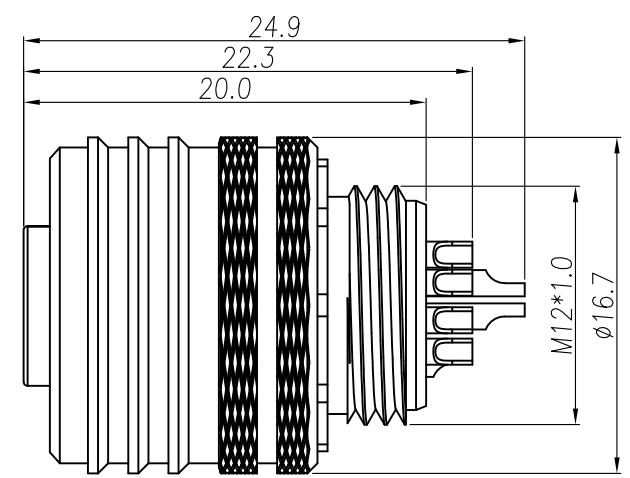
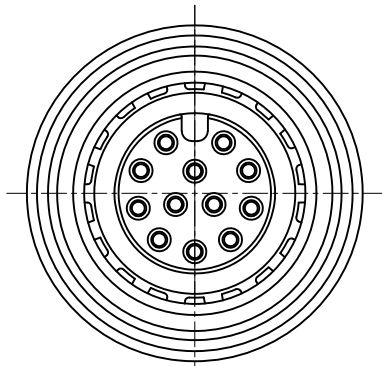


This document is the property of Nian-Yeong Corporation and is delivered on the express condition that it is not to be disclosed, reproduced or used, in whole or in part, for manufacture or sale by anyone other than Nian-Yeong Corporation without its prior consent, and that no right is granted to disclose or to use any information in this document.

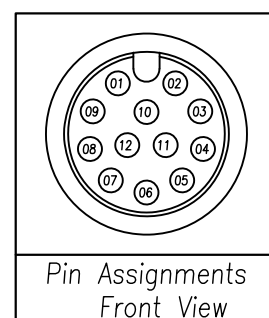
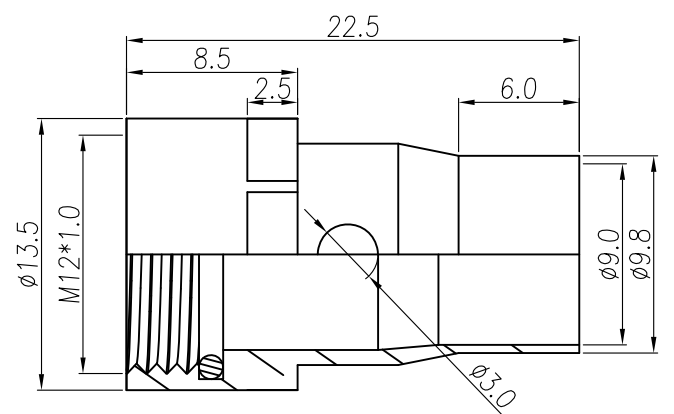
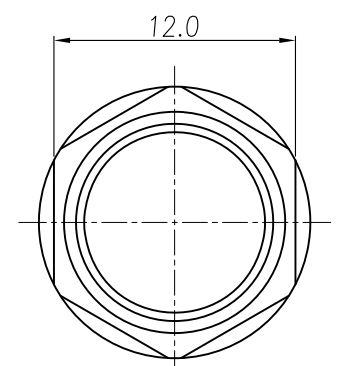
CUSTOMER DRAWING

REV.	DESCRIPTION	APPROVED BY	DATE	ECN NO.
A	RELEASE	LEO	03/01/24	
B				
C				
D				



HOUSING & SHELL1~2 & CONTACT
O-RING & LOCKING

ASS'Y



Pin Assignments
Front View

BACK SHIELD & O-RING

- MATERIAL :
 - 1-1. HOUSING : NYLON 66 UL94V-0 ; COLOR : BLACK
 - 1-2. CONTACT : BRASS.
 - 1-3. SHELL 1 : BRASS.
 - 1-4. SHELL 2 : BRASS.
 - 1-5. BACK SHIELD : BRASS.
 - 1-6. O-RING : SILICONE
 - 1-7. LOCKING : STAINLESS STEEL.
- FINISH :
 - 2-1. CONTACT : GOLD FLASH
 - 2-2. SHELL 1 : NICKEL PLATED OVER ALL
 - 2-3. SHELL 2 : NICKEL PLATED OVER ALL
 - 2-4. BACK SHIELD : NICKEL PLATED OVER ALL
- ELECTRICAL SPECIFICATION :
 - 3-1. Rated current(40°C) : 1.5A
 - 3-2. Rated voltage : 30V
 - 3-3. Water proof : IP67
- Environmental :
 - 4-1. Operation Temperature : -25°C ~ 85°C

DRAWN	LEO	APPEND	Emily Suen	UNIT	mm	TOLERANCE			TITLE	M12 Outer Push Pull 12P A-CODING (F)			SHEET	1
CHK'D	Emily Suen			SCALE	1:1	.x ±0.20 .xx ±0.10 .xxx ±0.05 .xxxx ±0.03 ANGULA ±1°			PART NO.	WP-12F2-46-11	DWG NO.	QC11367	VERSION	A
								NIAN YEONG ENTERPRISE						
								年永實業有限公司						