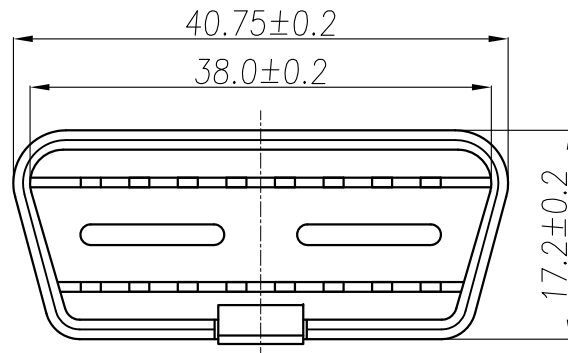
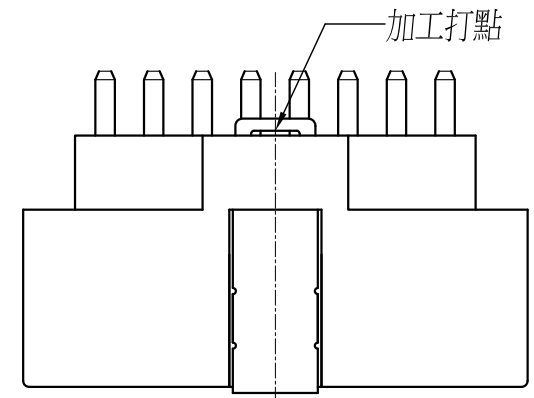
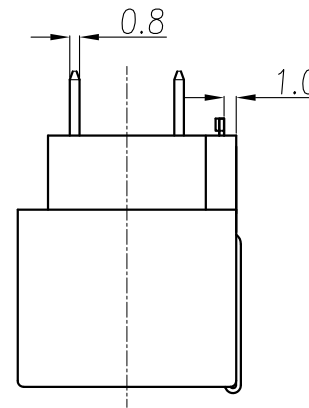
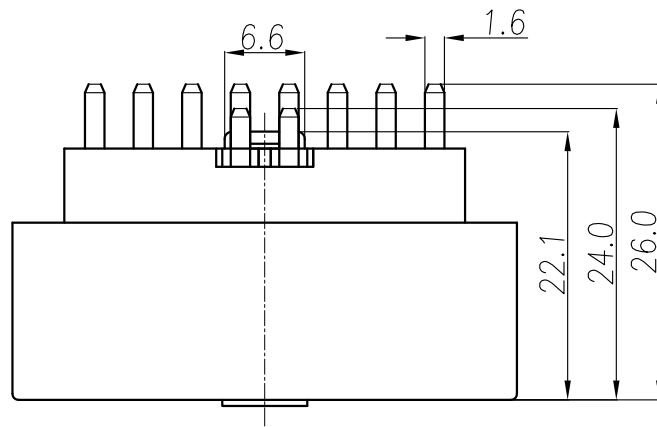
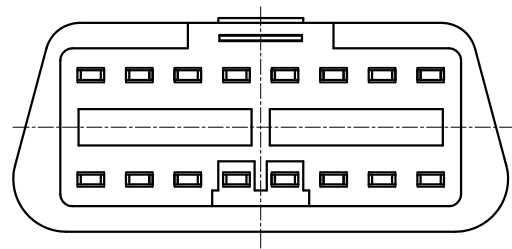


This document is the property of Nian-Yeong Corporation and is delivered on the express condition that it is not to be disclosed, reproduced or used, in whole or in part, for manufacture or sale by anyone other than Nian-Yeong Corporation without its prior consent, and that no right is granted to disclose or to use any information in this document.

CUSTOMER DRAWING

REV.	DESCRIPTION	APPVL. BY	DATE	ECN NO.
A	RELEASE	Fido Weng	31/12/08	
B				
C				



1. MATERIAL :
 - 1-1. HOUSING : NYLON66 ; COLOR : BLACK
 - 1-2. CONTACT : BRASS
 - 1-3. SPRING : STAINLESS STEEL
2. FINISH :
 - 2-1. CONTACT : CONTACT AREA : BRIGHT TIN. SOLDER AREA : TIN 60u"

DRAW	Ya Chou	APPVL	Fido Weng	UNIT	mm	TOLERANCE		TITLE	OBD2 16(M)彈片式(雙隔板)(黑)			SHEET	
CHECK	Emily Suen			SCALE	1:1	.x ±0.20 .xx ±0.10 .xxx ±0.05 .xxxx ±0.03 ANGULA ±1°		PART NO.	OBD2-16M1-60-11	DWG NO.	QC7065	VERSION	

NIAN YEONG ENTERPRISE
年永實業有限公司