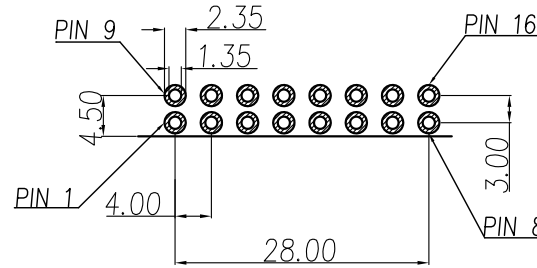
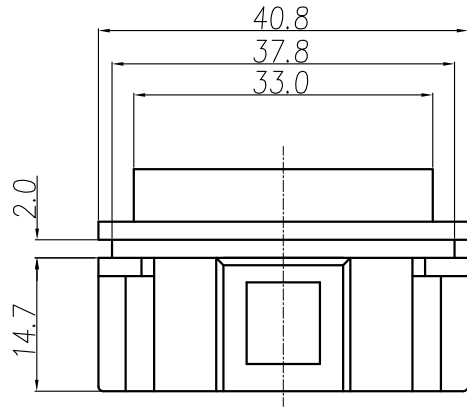


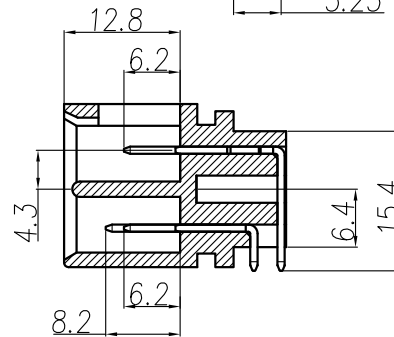
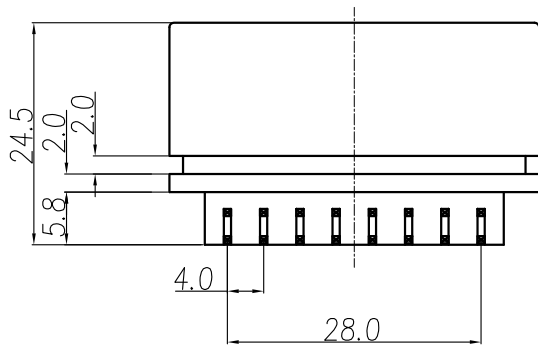
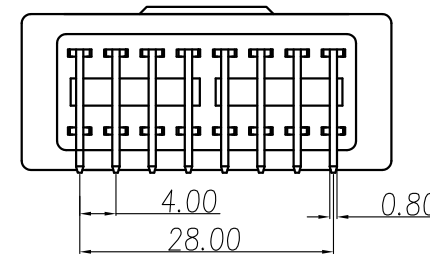
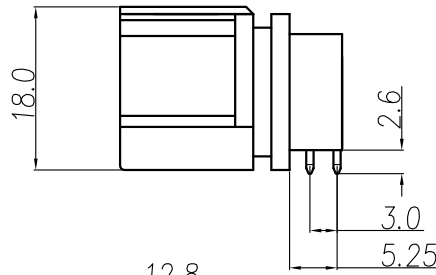
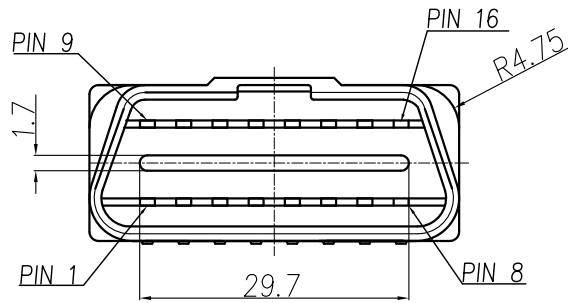
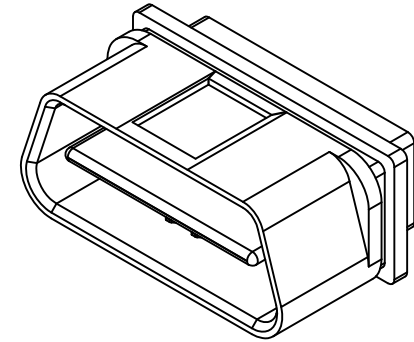
This document is the property of Nian-Yeong Corporation and is delivered on the express condition that it is not to be disclosed, reproduced or used, in whole or in part, for manufacture or sale by anyone other than Nian-Yeong Corporation without its prior consent, and that no right is granted to disclose or to use any information in this document.

CUSTOMER DRAWING

REV.	DESCRIPTION	APPROVED BY	DATE	ECN NO.
A	RELEASE	Fido Weng	24/04/11'	
B				
C				



RECOMMEND P.C.B LAYOUT



- MATERIAL :
 - HOUSING : NYLON 66 ; COLOR : BLACK
 - CONTACT : BRASS
- FINISH :
 - CONTACT : BRIGHT TIN UNDERPLATED NICKEL.
- Environmental :
 - Operation Temperature : $-40^{\circ}\text{C} \sim 85^{\circ}\text{C}$

DRAWN	KU	APPEND	Emily Suen	UNIT	mm	TOLERANCE	NIAN YEONG ENTERPRISE		TITLE	OBD II 90° TYPE			SHEET
CHOKED	Emily Suen			SCALE	1:1	.x ±0.20 .xx ±0.10 .xxx ±0.05 .xxxx ±0.03 ANGULA ±1°	年永實業有限公司		PART NO.	OBD2-16M3-01	DWG NO.	QC5324	VERSION A