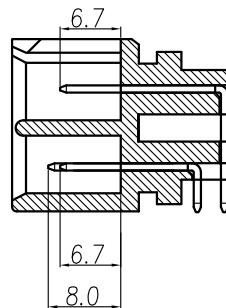
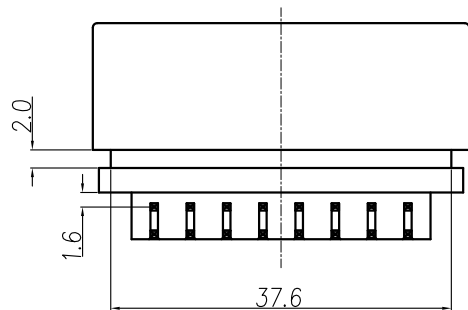
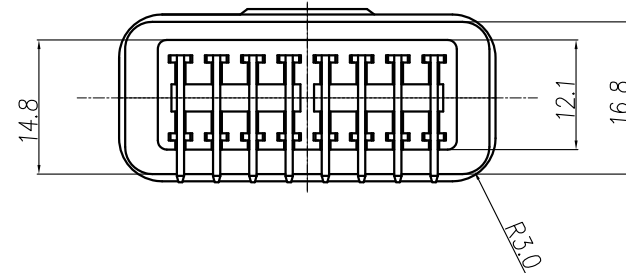
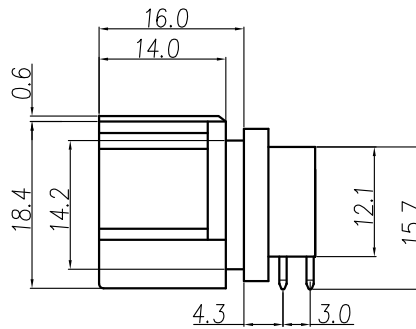
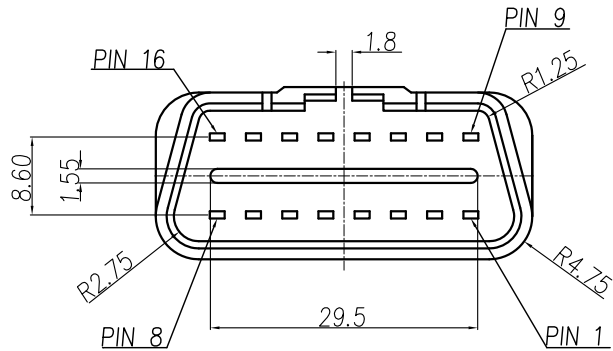
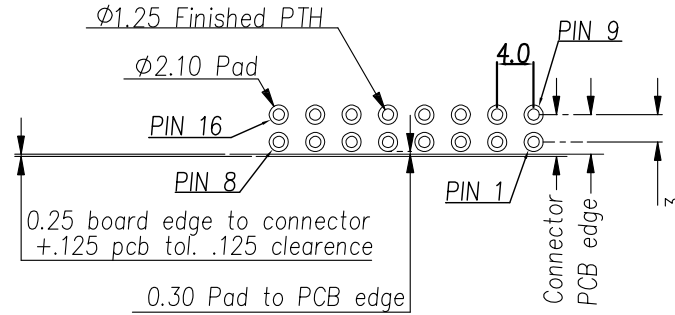
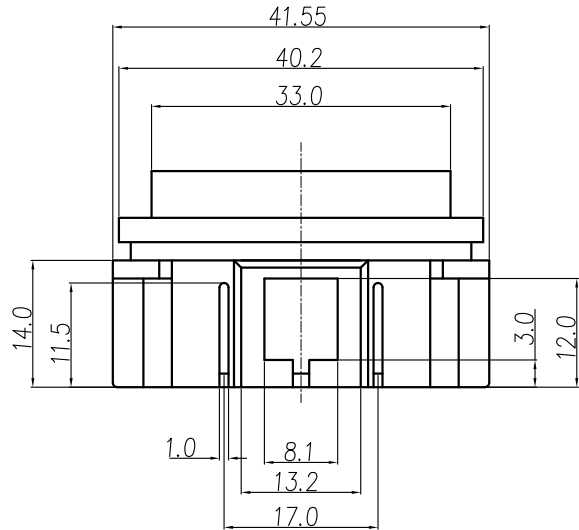


This document is the property of Nian-Yeong Corporation and is delivered on the express condition that it is not to be disclosed, reproduced or used, in whole or in part, for manufacture or sale by anyone other than Nian-Yeong Corporation without its prior consent, and that no right is granted to disclose or to use any information in this document.

CUSTOMER DRAWING

REV.	DESCRIPTION	APPROVED BY	DATE	ECN NO.
A	RELEASE	Fido Weng	30/08/11'	
B				
C				



- MATERIAL :
 - HOUSING : NYLON 66 ; COLOR : BLACK
 - CONTACT : BRASS
- FINISH :
 - CONTACT : BRIGHT TIN UNDERPLATED NICKEL.
- Environmental :
 - Operation Temperature : -40°C~85°C

DRAWN	CHOKED	APPEND	UNIT	SCALE	TOLERANCE	ANGULA	TITLE	PART NO.	DWG NO.	QC5496	SHEET	VERSION
KU	Emily Suen		mm	1:1	.x ±0.20 .xx ±0.10 .xxx ±0.05 .xxxx ±0.03	±1°	OBD2 16(M)90度插件(防呆方孔)	OBD2-16M3-03			1	A

