

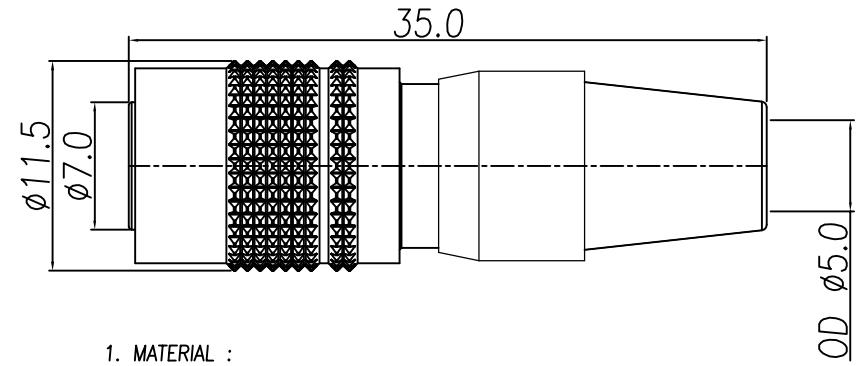
This document is the property of Nian-Yeong Corporation and is delivered on the express condition that it is not to be disclosed, reproduced or used, in whole or in part, for manufacture or sale by anyone other than Nian-Yeong Corporation without its prior consent, and that no right is granted to disclose or to use any information in this document.

CUSTOMER DRAWING

REV.	DESCRIPTION	APPROVED BY	DATE	ECN NO.
A	RELEASE	Emily Suen	22/11/11'	
B	CHANGE MATERIAL	Emily Suen	16/09/22'	
C				
D				

TABLE A

CONTACT ARRANGEMENT(FRONT VIEW)			
DI-04M2-05	DI-05M2-03	DI-06M2-04	DI-07M2-01
			DI-07M2-09-11



1. MATERIAL :

- 1-1. HOUSING : NYLON66 UL94V-0 ; COLOR : BLACK
- 1-2. CONTACT : BRASS
- 1-3. SHELL A : ZINC ALLOY
- 1-4. SHELL B : BRASS
- 1-5. SHELL C : BRASS
- 1-6. SPRING : STAINLESS STEEL
- 1-7. SCREW : ALLOY STEEL
- 1-8. CLAMP : BRASS
- 1-9. SR : NBR ; COLOR : BLACK

2. FINISH :

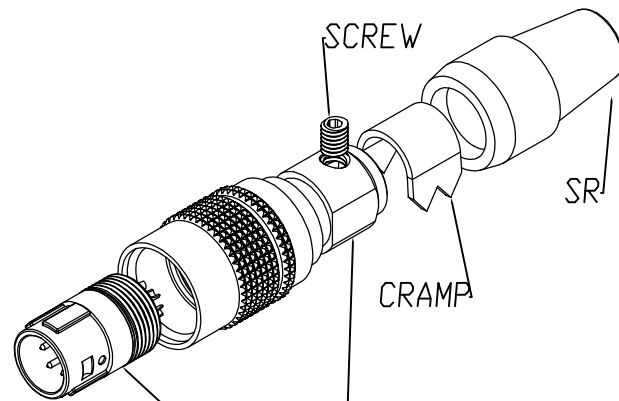
- 2-1. CONTACT : GOLD FLASH
- 2-2. SHELL A : NICKEL
- 2-3. SHELL B : SATIN NICKEL
- 2-4. SHELL C : NICKEL
- 2-5. SPRING : NICKEL
- 2-6. SCREW : NICKEL

3. ELECTRICAL SPECIFICATION :

- 3-1. Rated current : 2A
- 3-2. Rated voltage : 4PIN 150V AC / 200V DC ;  
5~7PIN 100V AC / 140V DC

4. Environmental :

- 4-1. Operation Temperature : -25°C~85°C



HOUSING + CONTACT + SHELL A  
SHELL B + SHELL C + SPRING

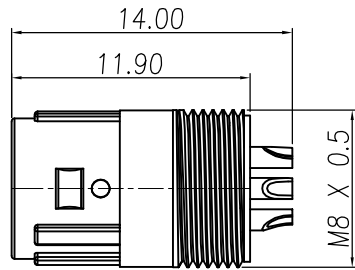
DRAWN	Mark Kao	APPVL	Ku Chou	UNIT	mm	TOLERANCE		TITLE	DIN (M) PLUG 插头式(SHELL SIZE 7mm)		SHEET	1/2
CHK'D	Emily Suen			SCALE	1:1	.x ±0.20 .xx ±0.10 .xxx ±0.05 .xxxx ±0.03 ANGULA ±1°		PART NO.	SEE TABLE A	DWG NO.	QC5662	VERSION

NIAN YEONG ENTERPRISE  
年永實業有限公司

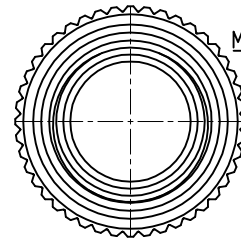
This document is the property of Nian-Yeong Corporation and is delivered on the express condition that it is not to be disclosed, reproduced or used, in whole or in part, for manufacture or sale by anyone other than Nian-Yeong Corporation without its prior consent, and that no right is granted to disclose or to use any information in this document.

CUSTOMER DRAWING

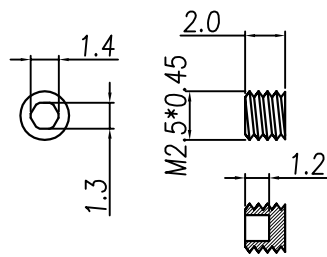
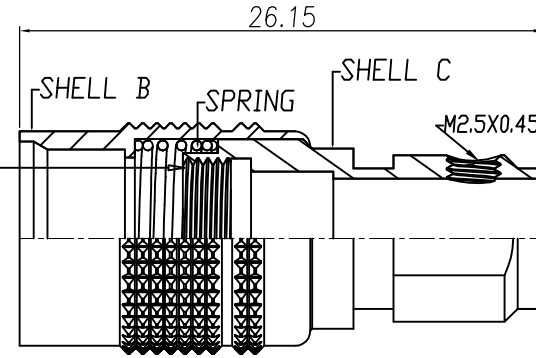
REV.	DESCRIPTION	APPROVED BY	DATE	ECN NO.
A	RELEASE	Emily Suen	22/11/11'	
B				
C				
D				



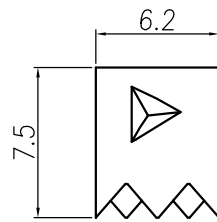
HOUSING + CONTACT + SHELL A



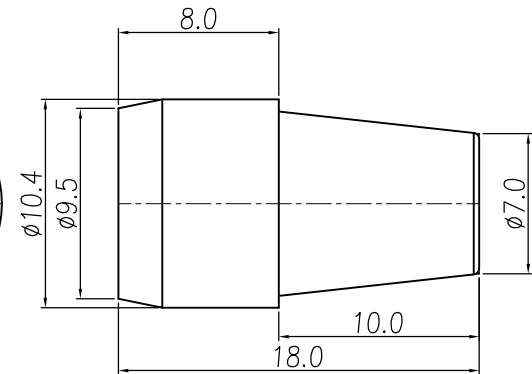
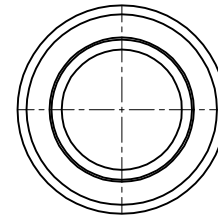
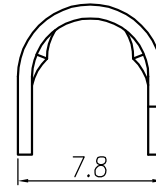
SHELL B + SHELL C + SPRING



SCREW



CRAMP



SR

DRAWN	Mark Kao	APPVL	Ku Chou	UNIT	mm	TOLERANCE		TITLE	DIN (M) PLUG 插头 (SHELL SIZE 7mm)			SHEET	2
CHK'D	Emily Suen			SCALE	1:1	.x ±0.20 .xx ±0.10 .xxx ±0.05 .xxxx ±0.03 ANGULA ±1°		PART NO.	SEE TABLE A	DWG NO.	QC5662	VERSION	A

NIAN YEONG ENTERPRISE  
年永實業有限公司