






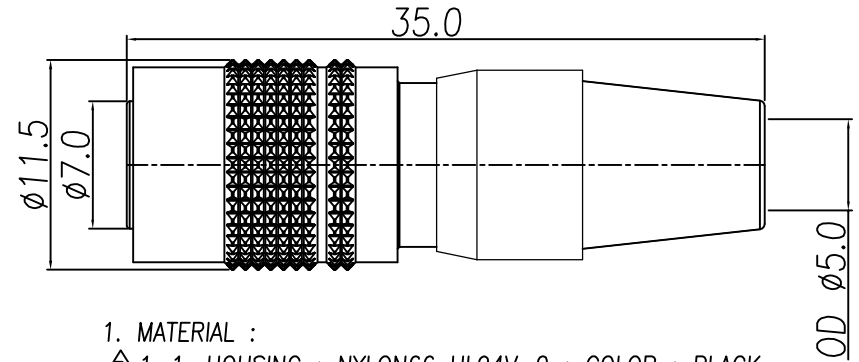
This document is the property of Nian-Yeong Corporation and is delivered on the express condition that it is not to be disclosed, reproduced or used, in whole or in part, for manufacture or sale by anyone other than Nian-Yeong Corporation without its prior consent, and that no right is granted to disclose or to use any information in this document.

CUSTOMER DRAWING

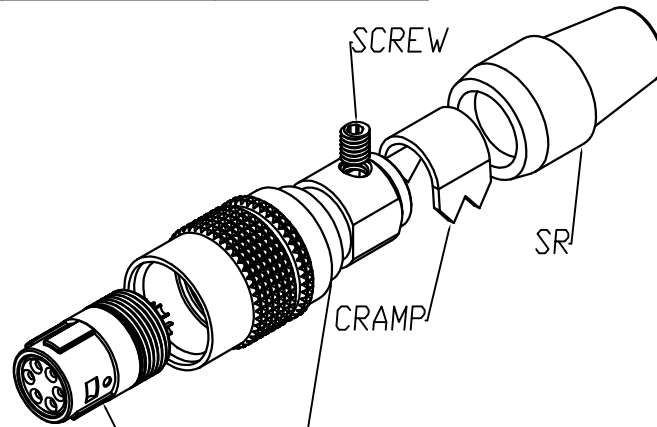
REV.	DESCRIPTION	APPROVED BY	DATE	ECN NO.
A	RELEASE	Emily Suen	22/11/11'	
B	CHANGE MATERIAL	Emily Suen	19/09/22'	
C				
D				

TABLE A

CONTACT ARRANGEMENT(FRONT VIEW)			
			
DI-04F2-04	DI-05F2-01	DI-06F2-05	DI-07F2-01
CONTACT ARRANGEMENT(FRONT VIEW)			
			
DI-06F2-08 (小線夾)			



- MATERIAL :
 - △ 1-1. HOUSING : NYLON66 UL94V-0 ; COLOR : BLACK
 - 1-2. CONTACT : PHOSPHOR BRONZE
 - 1-3. SHELL A : ZINC ALLOY
 - 1-4. SHELL B : BRASS
 - 1-5. SHELL C : BRASS
 - 1-6. SPRING : STAINLESS STEEL
 - 1-7. SCREW : ALLOY STEEL
 - 1-8. CRAMP : BRASS
 - 1-9. SR : NBR ; COLOR : BLACK
2. FINISH :
 - 2-1. CONTACT : GOLD FLASH
 - 2-2. SHELL A : NICKEL
 - 2-3. SHELL B : SATIN NICKEL
 - 2-4. SHELL C : NICKEL
 - 2-5. SPRING : NICKEL
 - 2-6. SCREW : NICKEL
3. ELECTRICAL SPECIFICATION :
 - 3-1. Rated current : 2A
 - 3-2. Rated voltage : 4PIN 150V AC / 200V DC ;
5~7PIN 100V AC / 140V DC
4. Environmental :
 - 4-1. Operation Temperature : -25℃~85℃



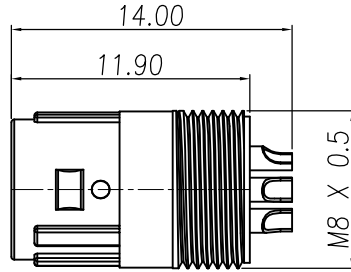
HOUSING + CONTACT + SHELL A
SHELL B + SHELL C + SPRING

DRAWN	Mark Kao	APPVL	Ku Chou	UNIT	mm	TOLERANCE	 	 NIAN YEONG ENTERPRISE 年永實業有限公司	TITLE	DIN (F) PLUG 插頭式 (SHELL SIZE 7mm)			SHEET	1/2
CHK'D	Emily Suen			SCALE	1:1	.x ±0.20 .xx ±0.10 .xxx ±0.05 .xxxx ±0.03 ANGULA ±1°			PART NO.	SEE TABLE A	DWG NO.	QC5663	VERSION	B

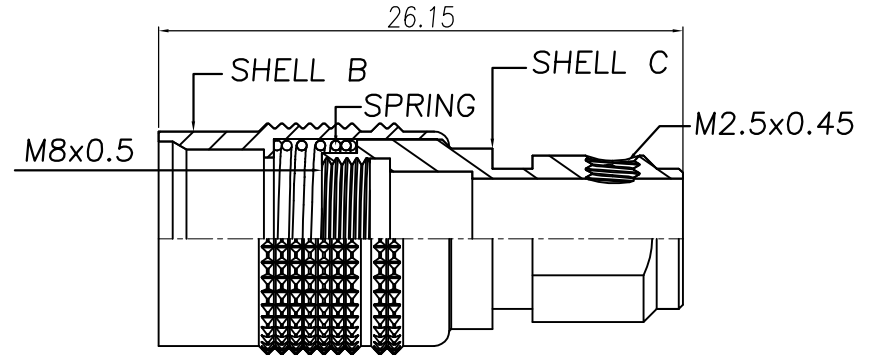
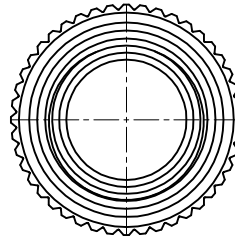
This document is the property of Nian-Yeong Corporation and is delivered on the express condition that it is not to be disclosed, reproduced or used, in whole or in part, for manufacture or sale by anyone other than Nian-Yeong Corporation without its prior consent, and that no right is granted to disclose or to use any information in this document.

CUSTOMER DRAWING

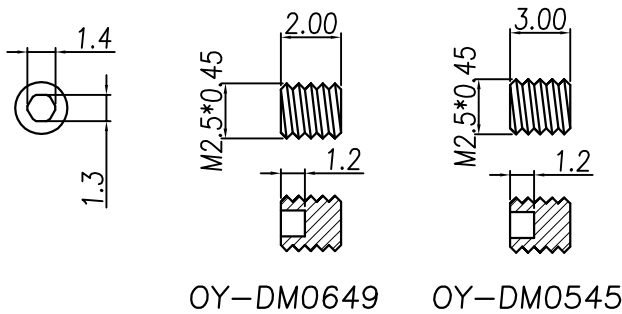
REV.	DESCRIPTION	APPROVED BY	DATE	ECN NO.
A	RELEASE	Emily Suen	22/11/11'	
B	CHANGE MATERIAL	Emily Suen	19/09/22'	
C				
D				



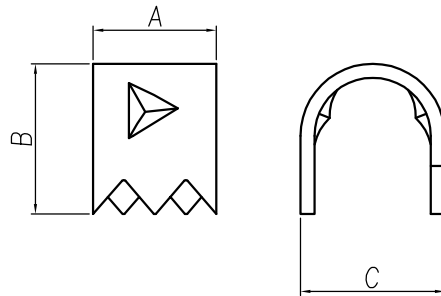
HOUSING + CONTACT + SHELL A



SHELL B + SHELL C + SPRING

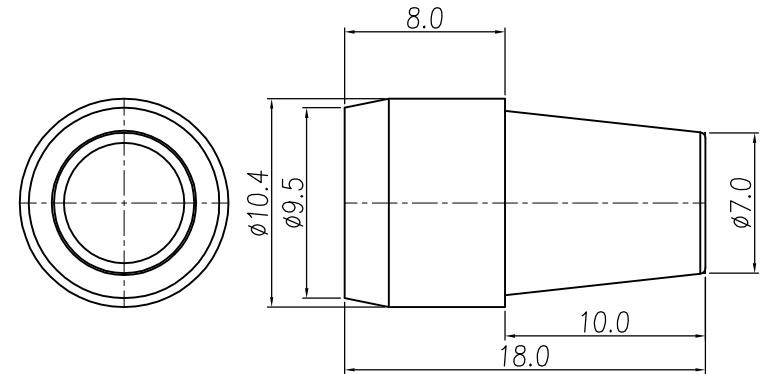


SCREW



CRAMP

OY-WP0371
OY-DM0639



SR

	A	B	C
OY-WP0371	6.1	7.5	7.8
OY-DM0639	4.0	6.0	6.5

DRAWN	Mark Kao	APPVL	Ku Chou	UNIT	mm	TOLERANCE .x ±0.20 .xx ±0.10 .xxx ±0.05 .xxxx ±0.03 ANGULA ±1°	NIAN YEONG ENTERPRISE 年永實業有限公司	TITLE	DIN (F) PLUG 插頭式 (SHELL SIZE 7mm)			SHEET	2/2
CHK'D	Emily Suen			SCALE	1:1			PART NO.	SEE TABLE A	DWG NO.	QC5663	VERSION	B