

This document is the property of Nian-Yeong Corporation and is delivered on the express condition that it is not to be disclosed, reproduced or used, in whole or in part, for manufacture or sale by anyone other than Nian-Yeong Corporation without its prior consent, and that no right is granted to disclose or to use any information in this document.

CUSTOMER DRAWING

REV.	DESCRIPTION	APPROVED BY	DATE	ECN NO.
A	RELEASE	Fido Weng	08/04/09*	
B	CHANGE & DIN	Fido Weng	10/12/10*	
C				

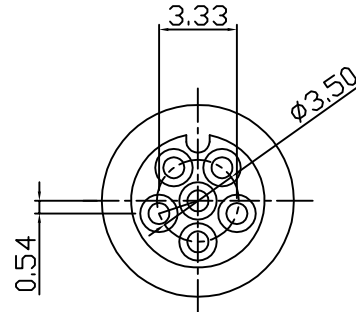
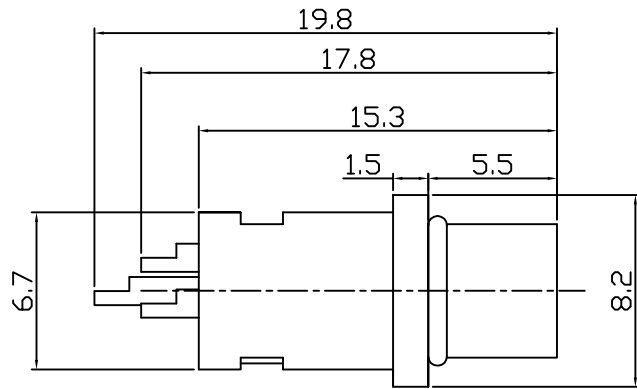
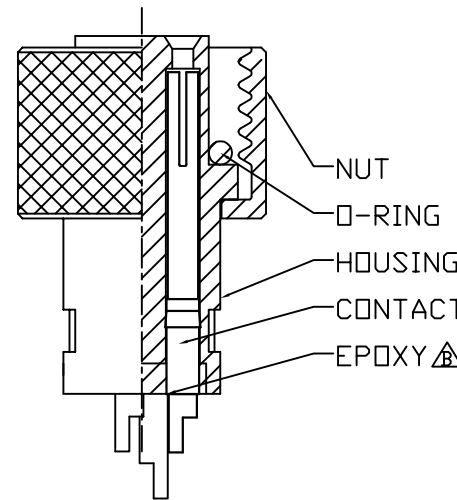
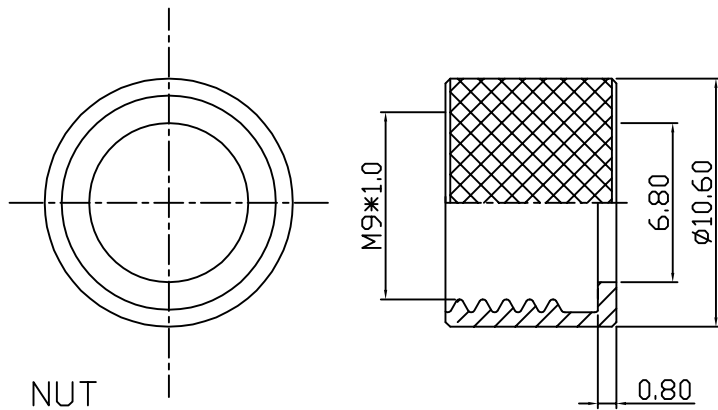


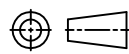
TABLE A

WP-05F2-31 WP-05F2-71	WP-06F2-07
WP-02F2-10	WP-04F2-57
WP-05F2-71	PHOSPHOR BRONZE
WP-06F2-07	BRASS
WP-05F2-31	BRASS
WP-04F2-57	BRASS
WP-02F2-10	BRASS
PART No.	MATERIAL(CONTACT)

- MATERIAL :
 - HOUSING : PBT UL94V-0 ; COLOR : BLACK
 - CONTACT : SEE TABLE A
 - O-RING : NBR ; COLOR : BLACK
 - NUT : BRASS
- FINISH :
 - CONTACT : 10 MICRO INCHES MIN. GOLD PLATED
UNDER PLATE : NICKEL
 - NUT : NICKEL PLATED.
- ELECTRICAL SPECIFICATION :
 - Rated current : 4A
 - Rated voltage : 60V
 - Water proof : IPX7
- Environmental :
 - Operation Temperature : -20°C~85°C



DRAWN	Mark Kao	APP'D	KU Chou	UNIT	mm	TOLERANCE
CHK'D	Emily Suen			SCALE	1:1	.x ±0.20 .xx ±0.10 .xxx ±0.05 .xxxx ±0.03 ANGULA ±1°



NIAN YEONG ENTERPRISE
年永實業有限公司

TITLE	M9-(F) 線端焊線式			SHEET
PART NO.	SEE TABLE A	DWG NO.	QC3690	1 B