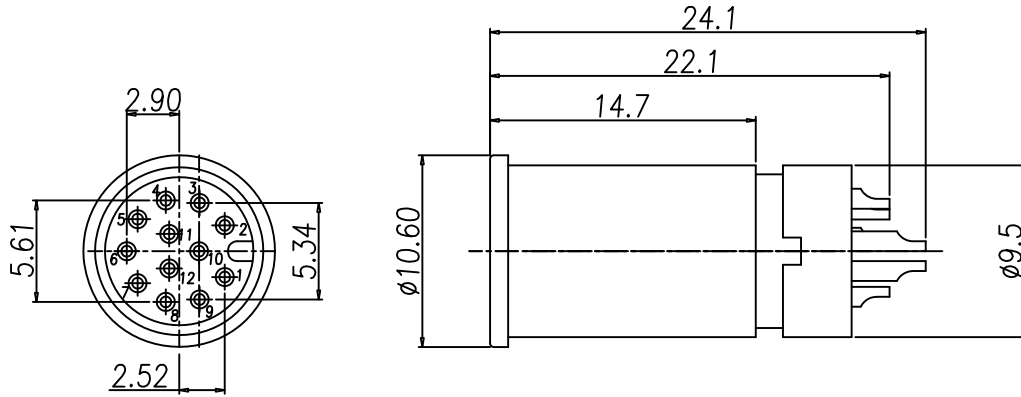


This document is the property of Nian-Yeong Corporation and is delivered on the express condition that it is not to be disclosed, reproduced or used, in whole or in part, for manufacture or sale by anyone other than Nian-Yeong Corporation without its prior consent, and that no right is granted to disclose or to use any information in this document.

CUSTOMER DRAWING

REV.	DESCRIPTION	APPROVED BY	DATE	ECN NO.
A	RELEASE	Fido Weng	25/07/09*	
B				
C				



1. MATERIAL :
 - 1-1. HOUSING : PBT UL94V-0 ; COLOR : BLACK
 - 1-2. CONTACT : BRASS
 - 1-3. NUT : BRASS
 - 1-4. O-RING : EDPM
2. FINISH :
 - 2-1. CONTACT : SEE TABLE A
 - 2-2. NUT : NICKEL PLATED
3. ELECTRICAL SPECIFICATION :
 - 3-1. Rated current : 1.5A
 - 3-2. Rated voltage : 30V
 - 3-3. Water proof : IP67
4. Environmental :
 - 4-1. Operation Temperature : -40°C~85°C

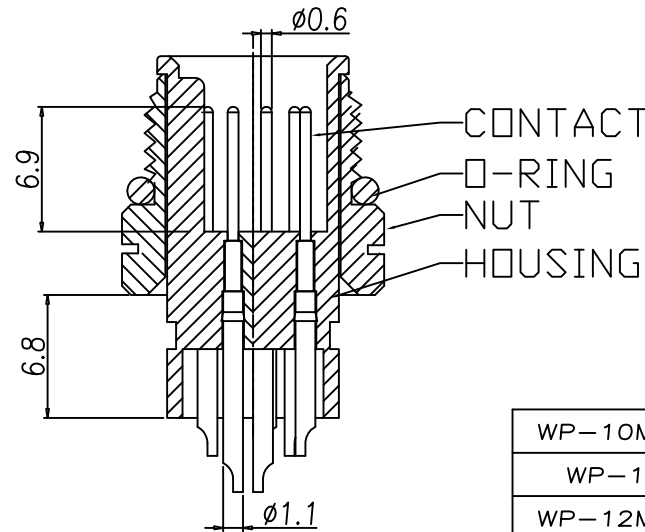
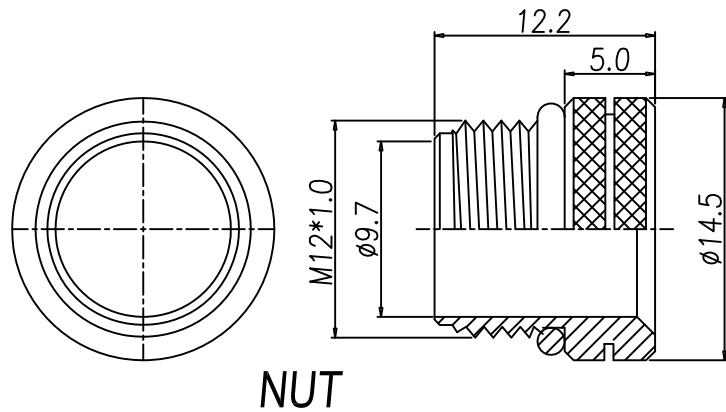


TABLE A

12PIN	10PIN
WP-12M2-01	WP-10M2-22-11
WP-12M2-08-11	

WP-10M2-22-11	10u" GOLD PLATED
WP-12M2-01	10u" GOLD PLATED
WP-12M2-08-11	GOLD FLASH PLATED
PART NO	FINISH

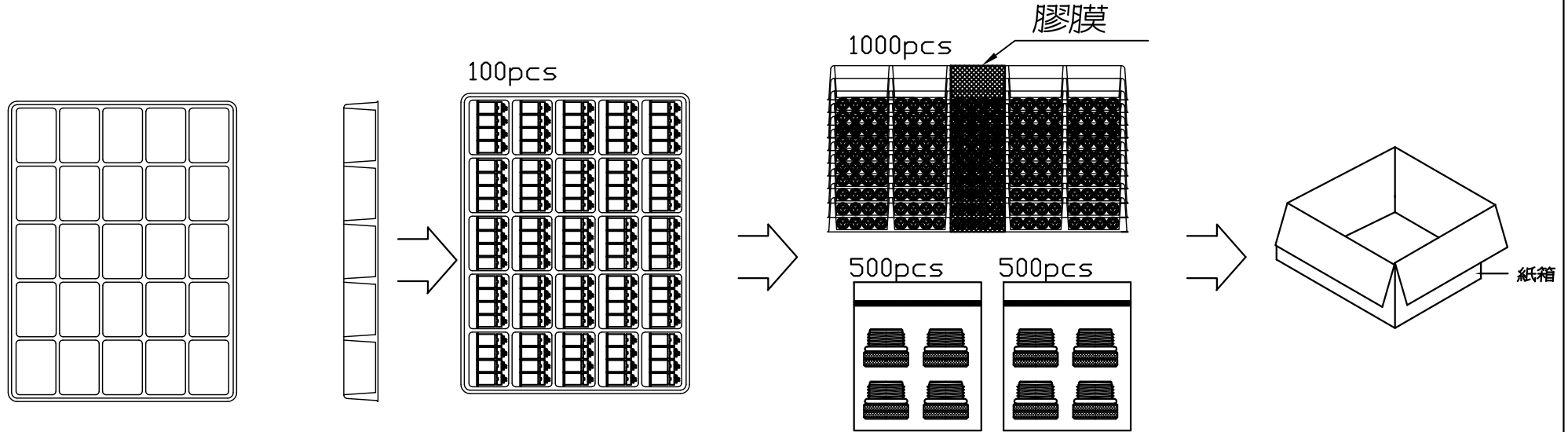
DRAWN	Mark Kao	APP'D	Ku Chou	UNIT	mm	TOLERANCE				TITLE	WP M12 (M) 線端焊線式		SHEET	1
CHK'D	Emily Suen			SCALE	1:1	.x ±0.20 .xx ±0.10 .xxx ±0.05 .xxxx ±0.01 ANGULA ±1°				PART NO.	SEE TABLE A	DWG NO.	QC4340	VERSION

NIAN YEONG ENTERPRISE
年永實業有限公司

This document is the property of Nian-Yeong Corporation and is delivered on the express condition that it is not to be disclosed, reproduced or used, in whole or in part, for manufacture or sale by anyone other than Nian-Yeong Corporation without its prior consent, and that no right is granted to disclose or to use any information in this document.

CUSTOMER DRAWING

REV.	DESCRIPTION	APPVL. BY	DATE	ECN NO.
A	RELEASE	Fido Weng	16/09/11'	
B				
C				



步驟一:

1. 將成品一一放入包裝盤內,依同一方向置入.
2. 包裝方式,如圖所示.
3. 一個包裝盤 100pcs.
4. 裝滿盤後堆層至 10 盤止,最上層為空盤做蓋子(不足盤也需放置)
5. 層疊盤後,在以膠膜固定

步驟二:

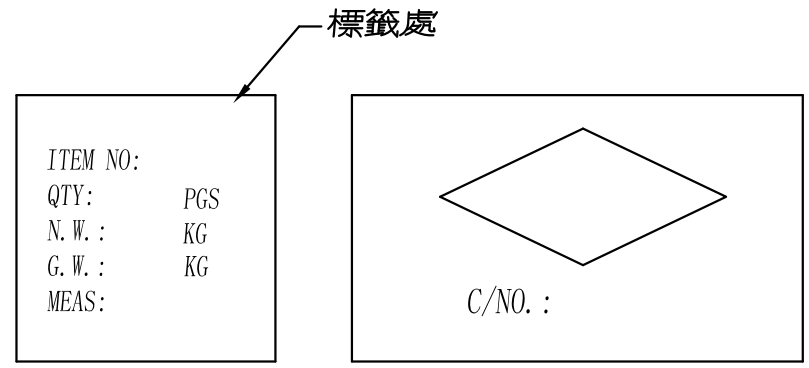
1. 將螺母放入PE袋
2. 每個PE袋裝500PCS後以熱封機熱封

步驟三:

1. 一個紙箱可以裝 10 個包裝盤. 2 袋 PE 袋
2. 每盤 100pcs, 每箱 1000pcs.
3. 每包 500pcs, 每箱 1000pcs.
4. 將包裝盤以及配件放紙箱中,後封箱.

步驟四:

1. 用膠帶將紙箱封實.
2. 將標籤貼於紙箱上.



NOTE:

1. 若有未裝滿之零數箱,必須以緩衝材塞滿.
2. 在搬運過程中要輕拿輕放.
3. 載運輸中不可堆放過多,不可有重壓現象.

DRAW	Ku Chou	APPVL	Fido Weng	UNIT	mm	TOLERANCE		TITLE	WP M12 12PIN(M) 焊線式			SHEET	2/2
CHECK	Emily Suen			SCALE	1:1	.x ±0.20 .xx ±0.10 .xxx ±0.05 .xxxx ±0.03 ANGULA ±1°			PART NO.	WP-12M2-01	DWG NO.	QC4340	VERSION

NIAN YEONG ENTERPRISE
年永實業有限公司