

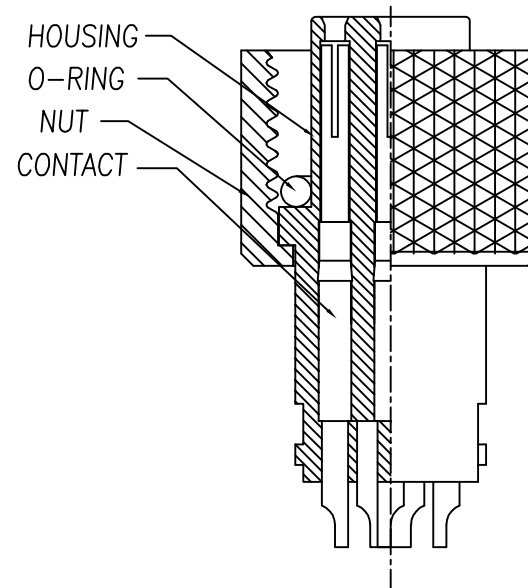
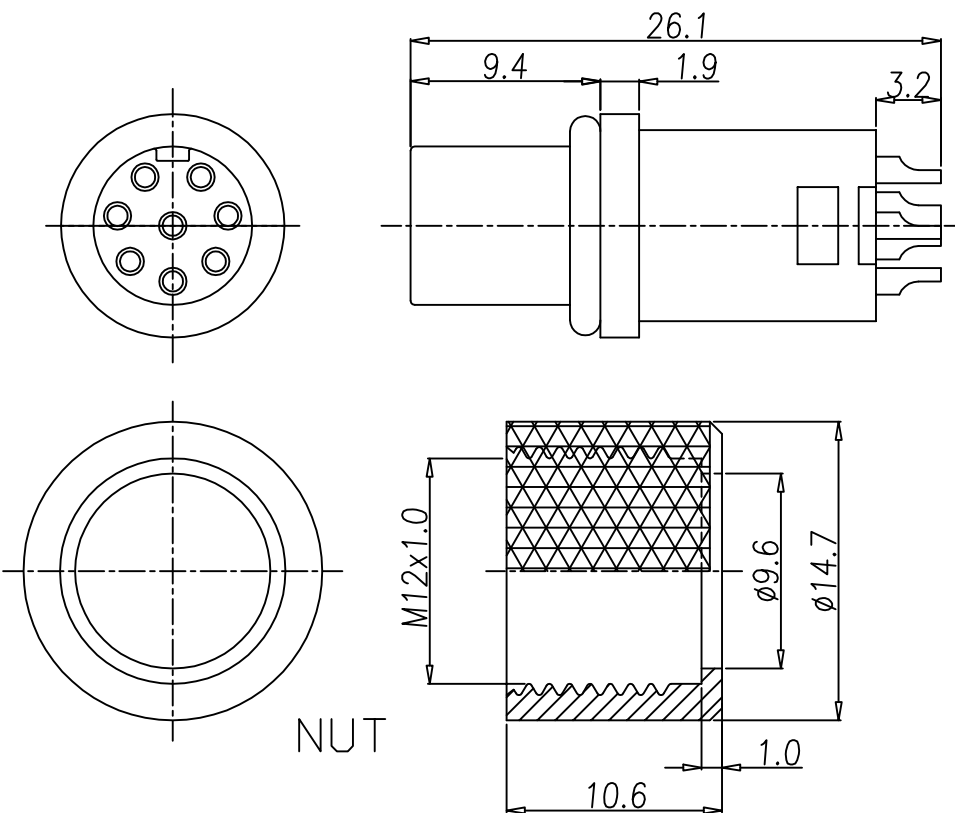
This document is the property of Nian-Yeong Corporation and is delivered on the express condition that it is not to be disclosed, reproduced or used, in whole or in part, for manufacture or sale by anyone other than Nian-Yeong Corporation without its prior consent, and that no right is granted to disclose or to use any information in this document.

CUSTOMER DRAWING

REV.	DESCRIPTION	APPROVED BY	DATE	ECN NO.
A	RELEASE	Fido Weng	21/06/12*	
B	ADD P/N	Ku Chou	07/02/20*	
C				

TABLE A

	8PIN
WP-08F2-41	WP-08F2-143-11
	7PIN
WP-07F2-16-11	
	6PIN
WP-06F2-74-11	WP-06F2-97-11



- MATERIAL :
  - HOUSING : PBT UL94V-0 ; COLOR : BLACK
  - CONTACT : BRASS
  - NUT : SEE TABLE A
  - O-RING : EPDM ; COLOR : BLACK
- FINISH :
  - CONTACT : SEE TABLE A  
UNDER PLATE : NICKEL
  - NUT : SEE TABLE A
- ELECTRICAL SPECIFICATION :
  - Rated current : 2A
  - Rated voltage : 30V
  - Water proof : IP67
- Environmental :
  - Operation Temperature : -40°C~105°C

WP-08F2-143-11	STAINLESS STEEL 316	-	10u" GOLD PLATED
WP-08F2-41	BRASS	NICKEL PLATED	GOLD FLASH PLATED
WP-07F2-16-11	BRASS	NICKEL PLATED	GOLD FLASH PLATED
WP-06F2-97-11	BRASS	NICKEL PLATED	10u" GOLD PLATED
WP-06F2-74-11	BRASS	NICKEL PLATED	GOLD FLASH PLATED
PART No.	MATERIAL(NUT)	FINISH(NUT)	FINISH(CONTACT)

DRAWN	Emily Suen	APP'D	Ku Chou	UNIT	mm	TOLERANCE		TITLE	防水頭 (F) +M12牙環成品(長膠芯)			SHEET	
CHK'D	Ku Chou	SCALE	1:1	TOLERANCE	.x ±0.20 .xx ±0.10 .xxx ±0.05 .xxxx ±0.03 ANGULA ±1°	PART NO.		SEE TABLE A	DWG NO.	QC6091	VERSION	B	

NIAN YEONG ENTERPRISE  
年永實業有限公司