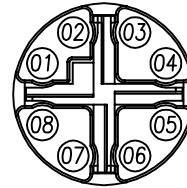
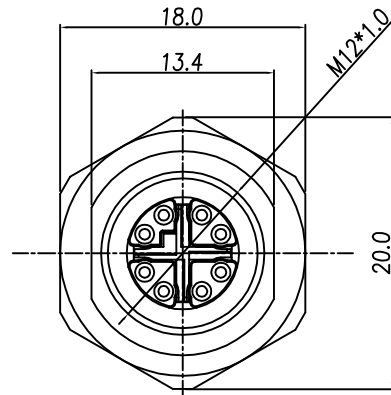
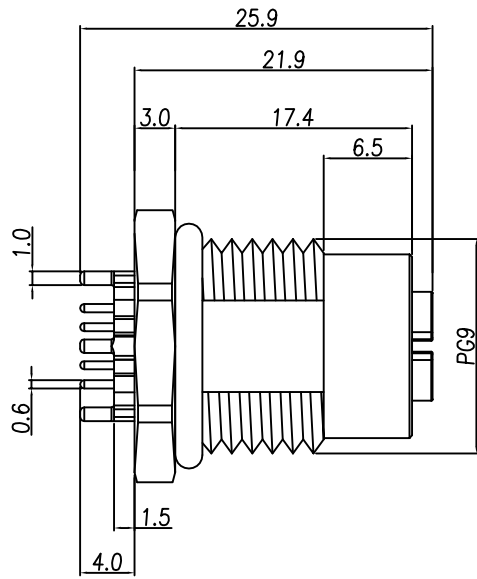


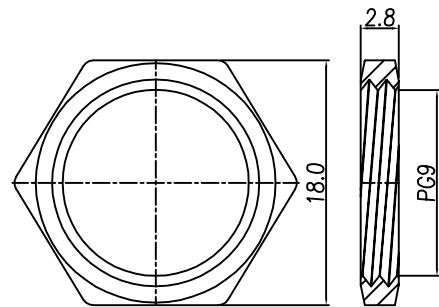
This document is the property of Nian-Yeong Corporation and is delivered on the express condition that it is not to be disclosed, reproduced or used, in whole or in part, for manufacture or sale by anyone other than Nian-Yeong Corporation without its prior consent, and that no right is granted to disclose or to use any information in this document.

# CUSTOMER DRAWING

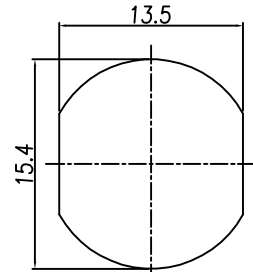
REV.	DESCRIPTION	APPROVED BY	DATE	ECN NO.
A	RELEASE	Fido Weng	04/12/14*	
B				
C				



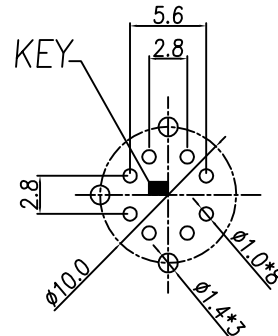
Pin Assignments



NUT



RECOMMEND PANEL CUT-OUT



RECOMMEND P.C.B LAYOUT

TABLE A

KEY	
	WP-08F2-55-11
	WP-08F3-13-11
	WP-08F3-17-11
	WP-08F3-07-11

PART No.	MATERIAL(SHELL&NUT)	FINISH(SHELL&NUT)	O-RING
WP-08F3-17-11	STAINLESS STEEL 316	-	VITON
WP-08F3-13-11	STAINLESS STEEL 316	-	EPDM
WP-08F3-07-11	BRASS	NICKEL PLATED	EPDM
WP-08F2-55-11	BRASS	NICKEL PLATED	EPDM

- MATERIAL :
  - HOUSING : PA UL94V-0 ; COLOR : BLACK
  - CONTACT : BRASS
  - NUT : SEE TABLE A
  - SHELL : SEE TABLE A
  - O-RING : SEE TABLE A
  - X-SHELL : Zn ALLOY
- FINISH :
  - CONTACT : 10 MICRO INCHES MIN. GOLD PLATED  
UNDER PLATE : NICKEL
  - NUT : SEE TABLE A
  - SHELL : SEE TABLE A
  - X-SHELL : NICKEL PLATED
- ELECTRICAL SPECIFICATION :
  - Rated current : 0.5A
  - Rated Voltage : 50V AC/60V DC
  - Water proof : IP67
- Environmental :
  - Operation Temperature : -40°C~85°C

DRAWN	Ku Chou	APPEND	Fido Weng	UNIT	mm	TOLERANCE		TITLE	防水類 M12 8PIN X-Code (F) 前鎖Pg9 DIP式(無潤滑)			SHEET	1/2
CHOKED	Emily Suen			SCALE	1:1	.x ±0.20 .xx ±0.10 .xxx ±0.05 .xxxx ±0.03 ANGULA ±1°		PART NO.	SEE TABLE A	DWG NO.	QC7053	VERSION	A

NIAN YEONG ENTERPRISE  
年永實業有限公司