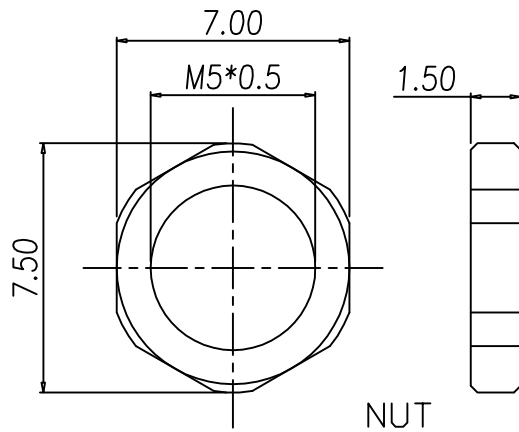
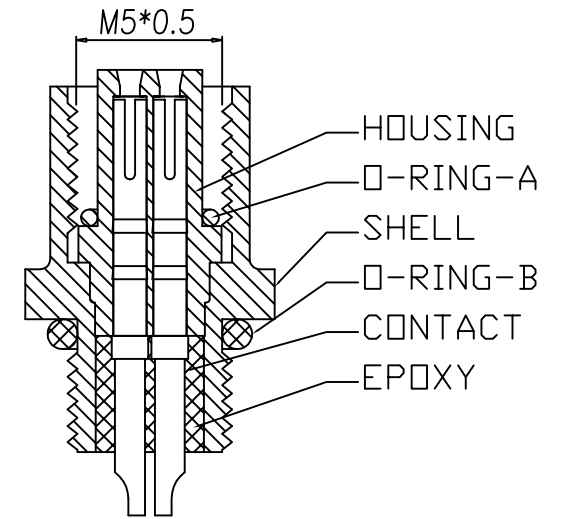
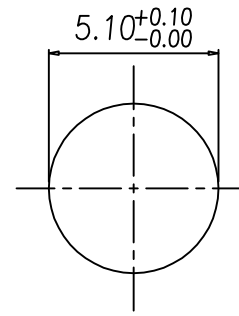
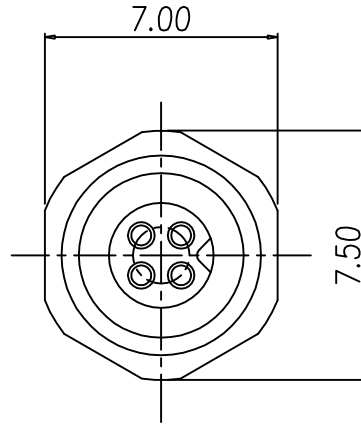
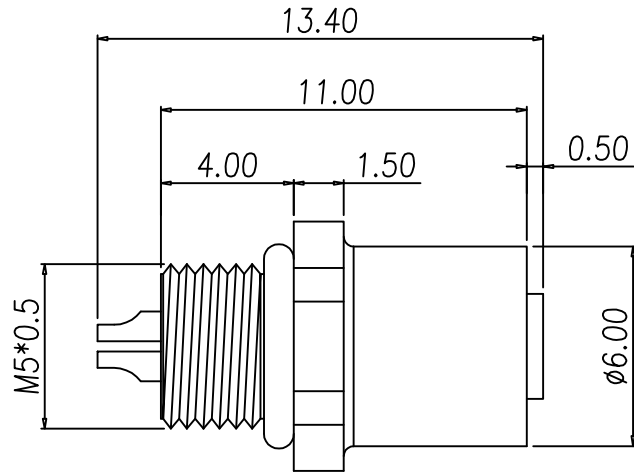


This document is the property of Nian-Yeong Corporation and is delivered on the express condition that it is not to be disclosed, reproduced or used, in whole or in part, for manufacture or sale by anyone other than Nian-Yeong Corporation without its prior consent, and that no right is granted to disclose or to use any information in this document.

CUSTOMER DRAWING

REV.	DESCRIPTION	APPROVED BY	DATE	ECN NO.
A	RELEASE	Fido Weng	28/10/10*	
B				
C				



- MATERIAL :
 - 1-1. HOUSING : PBT UL94V-0; COLOR : BLACK
 - 1-2. CONTACT : BRASS.
 - 1-3. NUT : BRASS
 - 1-4. SHELL : BRASS
 - 1-5. O-RING : NBR ; COLOR : BLACK
- FINISH :
 - 2-1. CONTACT : SEE TABLE A
 - 2-2. NUT : NICKEL PLATED
 - 2-3. SHELL : NICKEL PLATED
- ELECTRICAL SPECIFICATION :
 - 3-1. Rated current : 1A
 - 3-2. Rated Voltage : 60V
 - 3-3. Water proof : IP67
- Environmental :
 - 4-1. Operation Temperature : -20°C~85°C

TABLE A

2PIN	3PIN	4PIN
WP-02F2-42-11	WP-03F2-66-11	WP-04F2-145-11
WP-02F2-33-11	WP-03F2-21	WP-04F2-58
	WP-04F2-145-11	GOLD 10u"
	WP-03F2-66-11	GOLD 10u"
	WP-02F2-42-11	GOLD 10u"
	WP-04F2-58	GOLD FLASH
	WP-03F2-21	GOLD FLASH
	WP-02F2-33-11	GOLD FLASH
	PART NO	FINISH(CONTACT)

DRAWN	Mark Kao	APP'D	KU	UNIT	mm	TOLERANCE				TITLE	M5 4PIN(F) 接線端子			SHEET	
CHK'D	Emily Suen			SCALE	1:1	.x ±0.20 .xx ±0.10 .xxx ±0.05 .xxxx ±0.03 ANGULA ±1°				PART NO.	SEE TABLE A	DWG NO.	QC4852	VERSION	

NIAN YEONG ENTERPRISE
年永實業有限公司