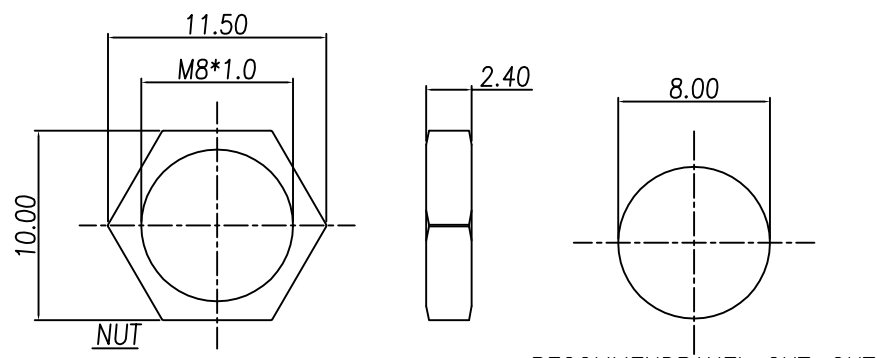
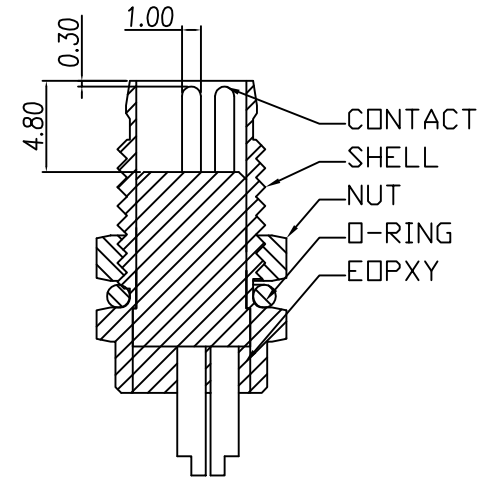
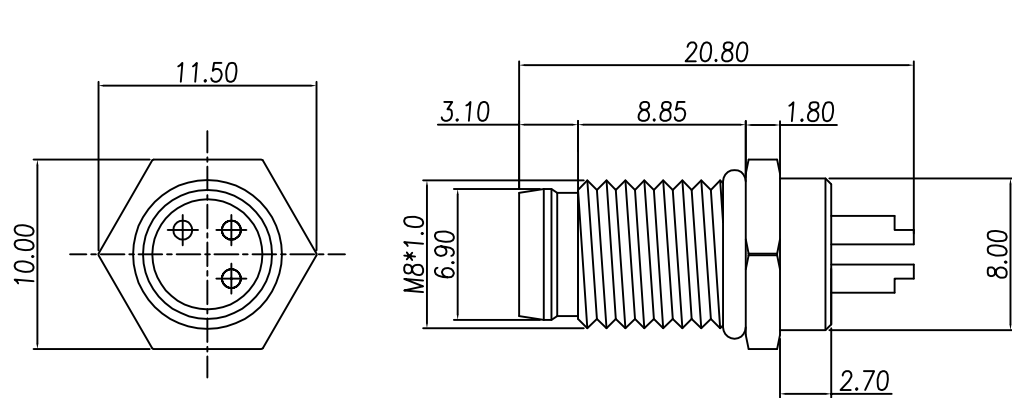


This document is the property of Nian-Yeong Corporation and is delivered on the express condition that it is not to be disclosed, reproduced or used, in whole or in part, for manufacture or sale by anyone other than Nian-Yeong Corporation without its prior consent, and that no right is granted to disclose or to use any information in this document.

CUSTOMER DRAWING

REV.	DESCRIPTION	APPROVED BY	DATE	ECN NO.
A	RELEASE	Fido Weng	22/06/11'	
B	新增規格	Yeh Chou	29/03/19'	
C				



- MATERIAL :
 - 1-1. HOUSING : PBT ; COLOR : BLACK
 - 1-2. CONTACT : BRASS.
 - 1-3. SHELL : BRASS
 - 1-4. O-RING : NBR ; COLOR : BLACK
 - 1-5. NUT : BRASS.
- FINISH :
 - 2-1. CONTACT : 10 MICRO INCHES MIN. GOLD PLATING
 - 2-2. SHELL : NICKEL PLATED.
 - 2-3. NUT : NICKEL PLATED.
- ELECTRICAL SPECIFICATION :
 - 3-1. Rated current : 4A
 - 3-2. Rated voltage : 60V
 - 3-3. Water proof : IP67
- Environmental :
 - 4-1. Operation Temperature : -20℃~85℃

TABLE A

P/N	DESCRIPTION
WP-02M2-62-11	防水頭 2P (M) 前鎖板M8*1.0 焊線式
WP-04M2-64	防水頭 4P (M) 前鎖板M8*1.0 焊線式
WP-03M2-22	防水頭 3P (M) 前鎖板M8*1.0 焊線式
WP-02M2-19	防水頭 2P (M) 前鎖板M8*1.0 焊線式

