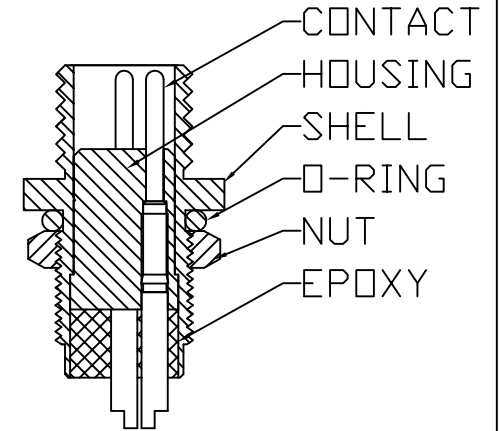
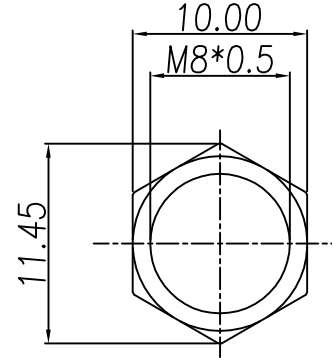
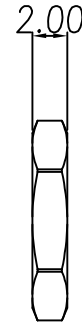
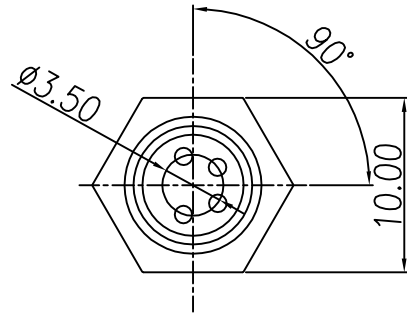


This document is the property of Nian-Yeong Corporation and is delivered on the express condition that it is not to be disclosed, reproduced or used, in whole or in part, for manufacture or sale by anyone other than Nian-Yeong Corporation without its prior consent, and that no right is granted to disclose or to use any information in this document.

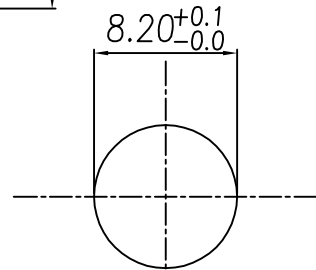
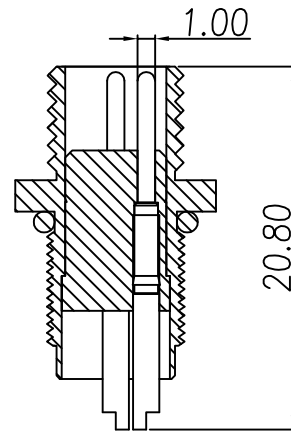
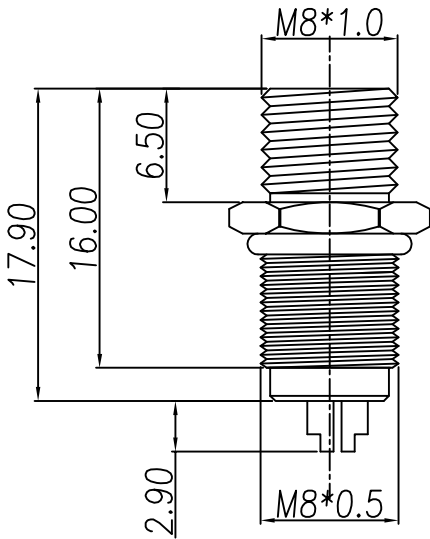
CUSTOMER DRAWING

REV.	DESCRIPTION	APPROVED BY	DATE	ECN NO.
A	RELEASE	Fido Weng	13/06/11*	
B				
C				



NUT

- MATERIAL :
 - HOUSING : PBT ; COLOR : BLACK
 - CONTACT : BRASS.
 - SHELL : BRASS
 - O-RING : NBR ; COLOR : BLACK
 - NUT : BRASS.
- FINISH :
 - CONTACT : 10 MICRO INCHES MIN. GOLD PLATING
 - SHELL : NICKEL PLATED.
 - NUT : NICKEL PLATED.
- ELECTRICAL SPECIFICATION :
 - Rated current : 4A
 - Rated voltage : 60V
 - Water proof : IP67
- Environmental :
 - Operation Temperature : -40°C~105°C



RECOMMEND PANEL CUT-OUT

TABLE A

WP-04M2-60	WP-03M2-45-11	WP-02M2-33-11

DRAWN	Ku Chou	APP'D	Fido Weng	UNIT	mm	TOLERANCE			TITLE	M8-(M)接触座(M8*0.5)			SHEET
CHK'D	Emily Suen			SCALE	1:1	.x ±0.20 .xx ±0.10 .xxx ±0.05 .xxxx ±0.03 ANGULA ±1°			PART NO.	SEE TABLE A	DWG NO.	QC5379	VERSION
									年永實業有限公司				A