

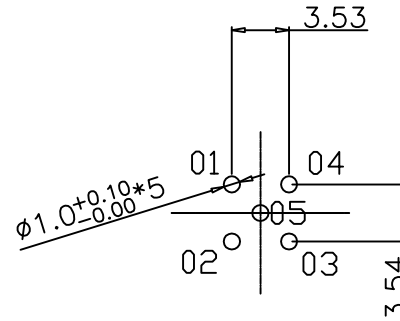
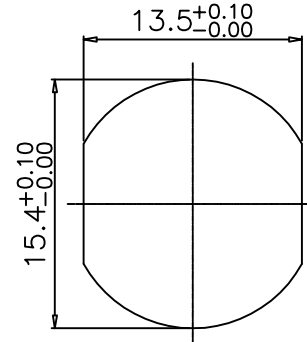
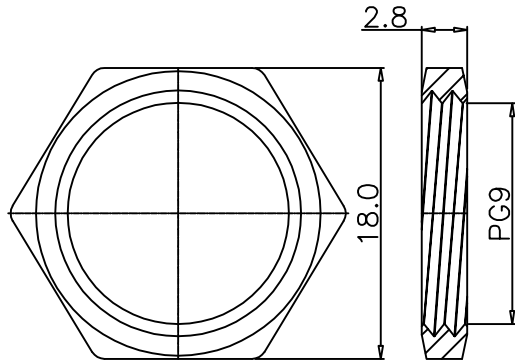
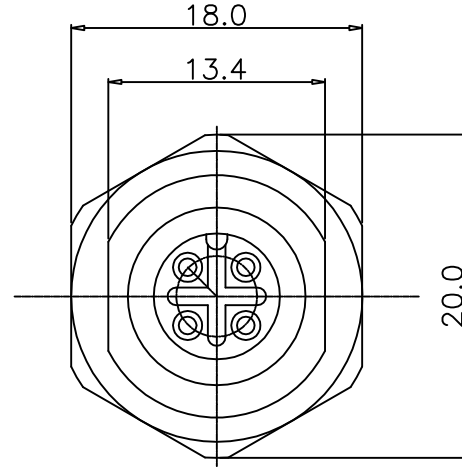
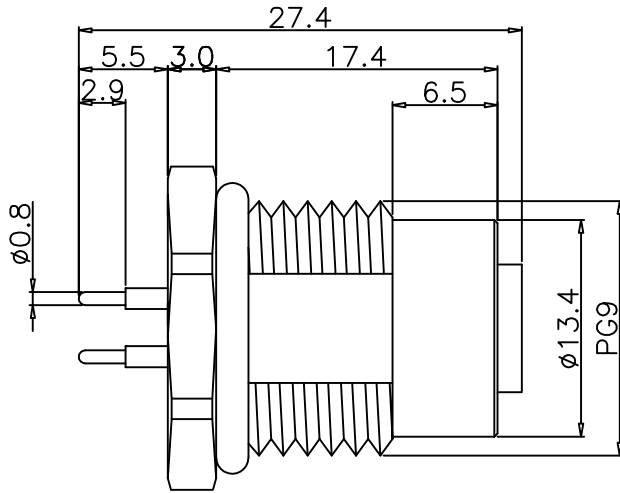
This document is the property of Nian-Yeong Corporation and is delivered on the express condition that it is not to be disclosed, reproduced or used, in whole or in part, for manufacture or sale by anyone other than Nian-Yeong Corporation without its prior consent, and that no right is granted to disclose or to use any information in this document.

CUSTOMER DRAWING

REV.	DESCRIPTION	APPROVED BY	DATE	ECN NO.
A	RELEASE	Fido Weng	04/03/10*	
B				
C				

TABLE A

5PIN	4PIN	3PIN	3PIN	2PIN
WP-05F2-62 WP-05F2-112-11 WP-05F3-18-11	WP-04F2-78 WP-04F2-154-11 WP-04F3-14-11	WP-03F2-27 WP-03F2-77-11	WP-03F2-59-11 WP-03F2-78-11	WP-02F2-17
WP-05F3-18-11	STAINLESS STEEL 316	-	-	GOLD 10u"
WP-04F3-14-11	STAINLESS STEEL 316	-	-	GOLD 10u"
WP-05F2-112-11	BRASS	NICKEL PLATED		GOLD FLASH
WP-04F2-154-11	BRASS	NICKEL PLATED		GOLD FLASH
WP-03F2-78-11	BRASS	NICKEL PLATED		GOLD FLASH
WP-03F2-77-11	BRASS	NICKEL PLATED		GOLD FLASH
WP-05F2-62	BRASS	NICKEL PLATED		GOLD 10u"
WP-04F2-78	BRASS	NICKEL PLATED		GOLD 10u"
WP-03F2-59-11	BRASS	NICKEL PLATED		GOLD 10u"
WP-03F2-27	BRASS	NICKEL PLATED		GOLD 10u"
WP-02F2-17	BRASS	NICKEL PLATED		GOLD 10u"
PART NO	MATERIAL(SHELL&NUT)	FINISH(SHELL&NUT)	FINISH(CONTACT)	



- MATERIAL :
 - HOUSING : PBT UL94V-0 ; COLOR : BLACK
 - CONTACT : BRASS
 - NUT : SEE TABLE A
 - SHELL : SEE TABLE A
 - O-RING : EPDM ; COLOR : BLACK
- FINISH :
 - CONTACT : SEE TABLE A
UNDER PLATE : NICKEL
 - NUT : SEE TABLE A
 - SHELL : SEE TABLE A
- ELECTRICAL SPECIFICATION :
 - Rated current : 4A
 - Rated Voltage : 2~4PIN 250V ; 5PIN 60V
 - Water proof : IP67/IP68
- Environmental :
 - Operation Temperature : -40°C~85°C

NUT

RECOMMEND PANEL CUT-OUT RECOMMEND P.C.B LAYOUT

DRAWN	Ku Chou	APPEND	Fido Weng	UNIT	mm	TOLERANCE		TITLE	防水頭 M12 A-Code (F) 前鎖 Pg9 插件式			SHEET	
CHOKED	Emily Suen			SCALE	1:1	.x ±0.20 .xx ±0.10 .xxx ±0.05 .xxxx ±0.03 ANGULA ±1°		PART NO.	SEE TABLE A	DWG NO.	QC5572	VERSION	

NIAN YEONG ENTERPRISE
年永實業有限公司