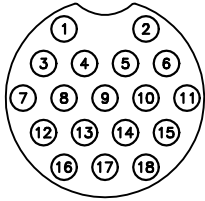


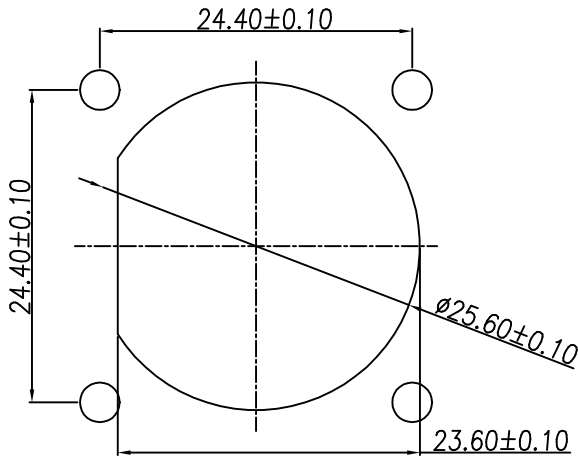
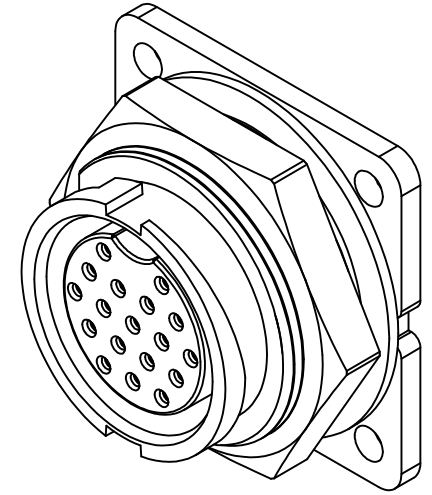
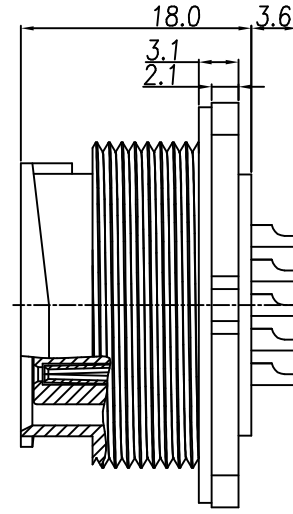
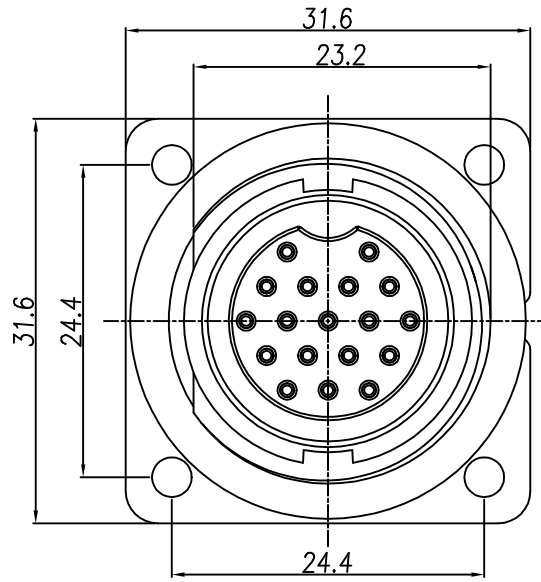
This document is the property of Nian-Yeong Corporation and is delivered on the express condition that it is not to be disclosed, reproduced or used, in whole or in part, for manufacture or sale by anyone other than Nian-Yeong Corporation without its prior consent, and that no right is granted to disclose or to use any information in this document.

CUSTOMER DRAWING

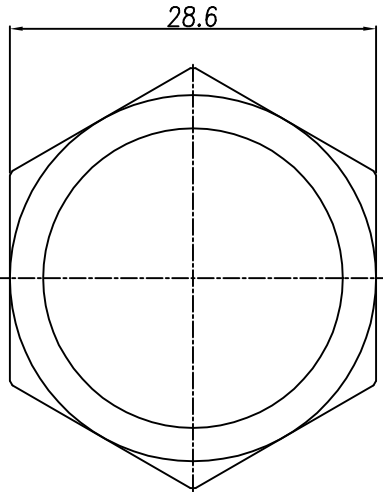
| REV. | DESCRIPTION | APPROVED BY | DATE | ECN NO. |
|------|---------------------|-------------|------------|---------|
| A | RELEASE | Yeh Chou | 2017/09/07 | |
| B | 增加規格圖 & 修正墊圈材質與電壓規格 | Ku Chou | 02/05/18' | |
| C | | | | |



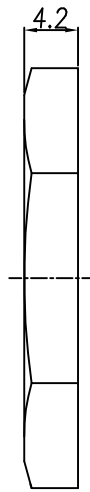
PIN CONFIGURATION



RECOMMEND PANEL HOLE



Hex Nut



- MATERIAL :
 - 1-1. HOUSING : PA66
 - 1-2. CONTACT : BRASS
 - 1-3. GASKET : SILICONE
 - 1-4. HEX NUT : PA66
- FINISH :
 - 2-1. CONTACT : GOLD FLASH PLATED
- ELECTRICAL SPECIFICATION :
 - 3-1. Rated current : 5A
 - 3-2. Rated Voltage : 300V
- Environmental :
 - 4-1. Operation Temperature : -40°C~105°C

| | | | | | | | | | | | | | |
|-------|----------|-------|---------|-------|-----|--|--|----------|-------------------------------|---------|--------|---------|---|
| DRAWN | Yeh Chou | APP'D | KU Chou | UNIT | mm | TOLERANCE | NIAN YEONG ENTERPRISE 年永實業有限公司 | TITLE | D SIZE 18P (F) 快鎖杯口焊線式 (方型面板) | | | SHEET | B |
| CHK'D | KU Chou | | | SCALE | 1:1 | .x ±0.20 .xx ±0.10 .xxx ±0.05 .xxxx ±0.03 ANGULA ±1° | | PART NO. | WP-18F2-04-11 | DWG NO. | QC7890 | VERSION | |