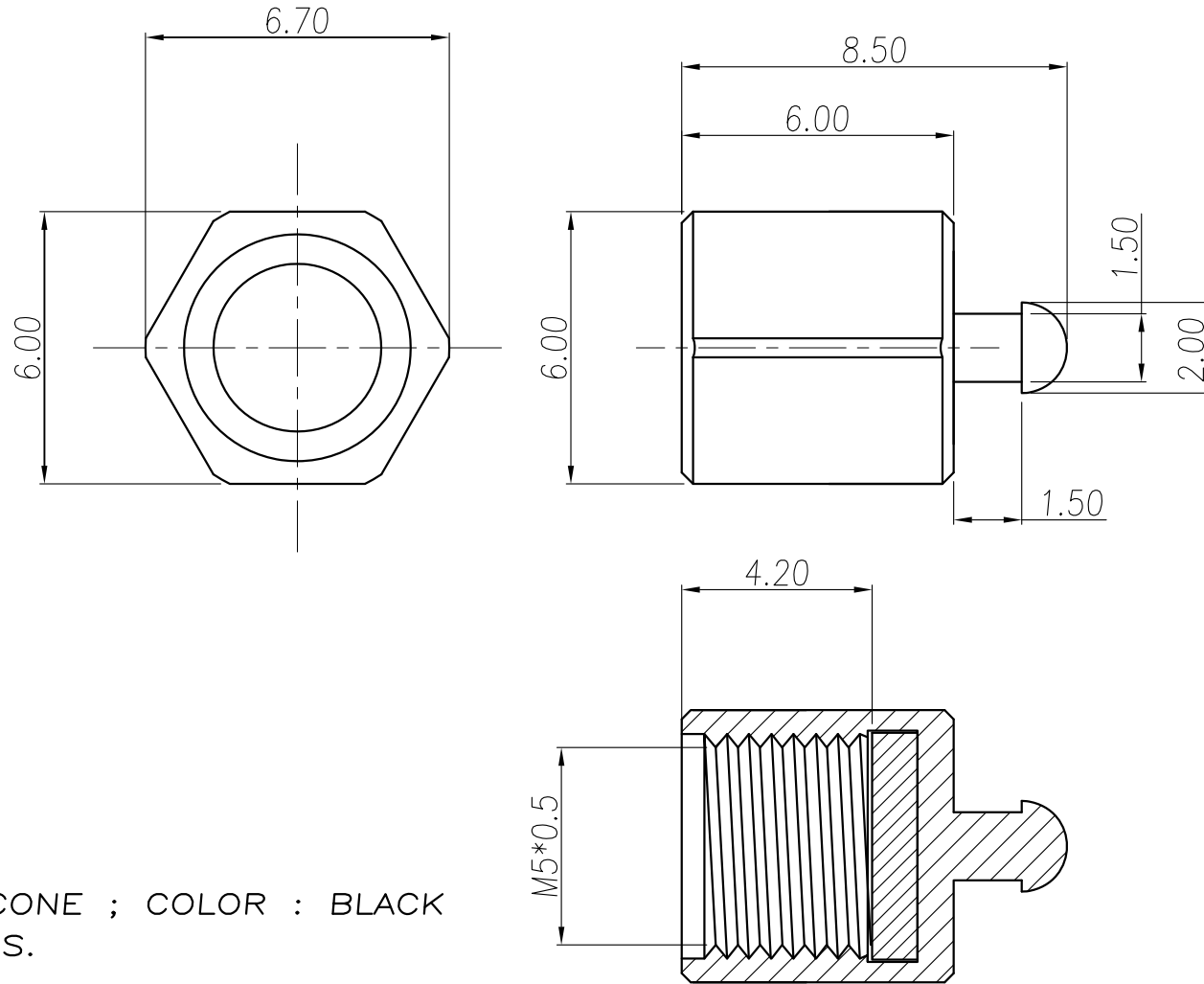


This document is the property of Nian-Yeong Corporation and is delivered on the express condition that it is not to be disclosed, reproduced or used, in whole or in part, for manufacture or sale by anyone other than Nian-Yeong Corporation without its prior consent, and that no right is granted to disclose or to use any information in this document.

CUSTOMER DRAWING

REV.	DESCRIPTION	APPROVED BY	DATE	ECN NO.
A	RELEASE	Fido Weng	04/08/09*	
B				
C				



1. MATERIAL :
  - 1-1. RING : SILICONE ; COLOR : BLACK
  - 1-2. NUT : BRASS.
2. FINSH :
  - 2-2. NUT : BLACK NICKEL PLATED.

DRAWN	Ku Chou	APP'D	Emily Suen	UNIT	mm	TOLERANCE		TITLE	M5防塵六角螺母(黑鍍)			SHEET	
CHK'D	Emily Suen	SCALE	1:1	TOLERANCE	.x ±0.10 .xx ±0.05 .xxx ±0.03 .xxxx ±0.01 ANGULA ±1°	PART NO.		NY-WP572-11	DWG NO.	QC6303	VERSION	A	