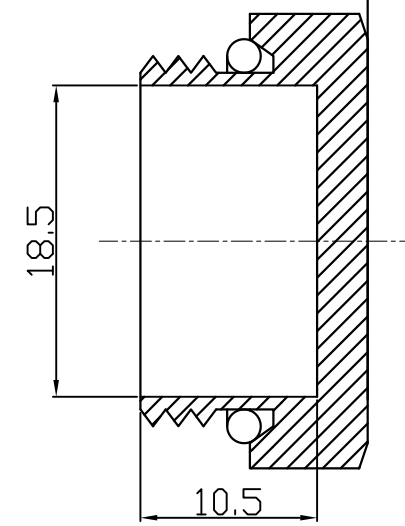
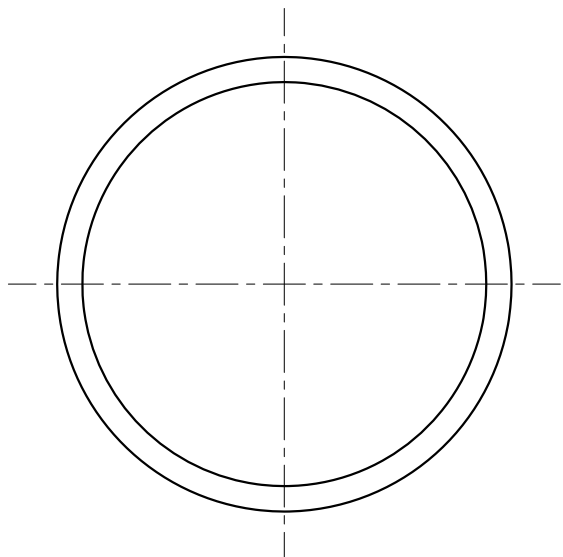
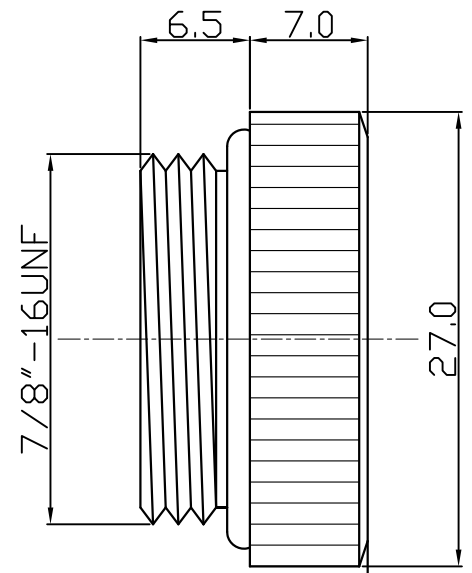
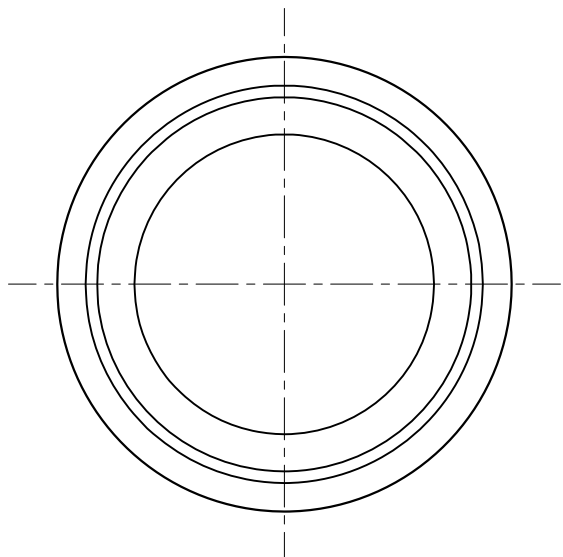


This document is the property of Nian-Yeong Corporation and is delivered on the express condition that it is not to be disclosed, reproduced or used, in whole or in part, for manufacture or sale by anyone other than Nian-Yeong Corporation without its prior consent, and that no right is granted to disclose or to use any information in this document.

CUSTOMER DRAWING

REV.	DESCRIPTION	APPVL. BY	DATE	ECN NO.
A				
B				
C				



- 1. MATERIAL :
 - 1-1. SHELL : BRASS
 - 1-2. O-RING : NBR
- 2. FINISH :
 - 2-1. SHELL : NICKEL PLATED ON OVER ALL

DRAW	Ku Chou	APPVL	Fido Weng	UNIT	mm	TOLERANCE		TITLE	WP 7/8"-16UNF COVER(鋼)(油封溝槽)+O-ring			SHEET	
CHECK	Emily Suen			SCALE	1:1	.x ±0.10 .xx ±0.05 .xxx ±0.03 .xxxx ±0.01 ANGULA ±1°		PART NO.	NY-WP377	DWG NO.	QC5447	VERSION	

NIAN YEONG ENTERPRISE
年永實業有限公司