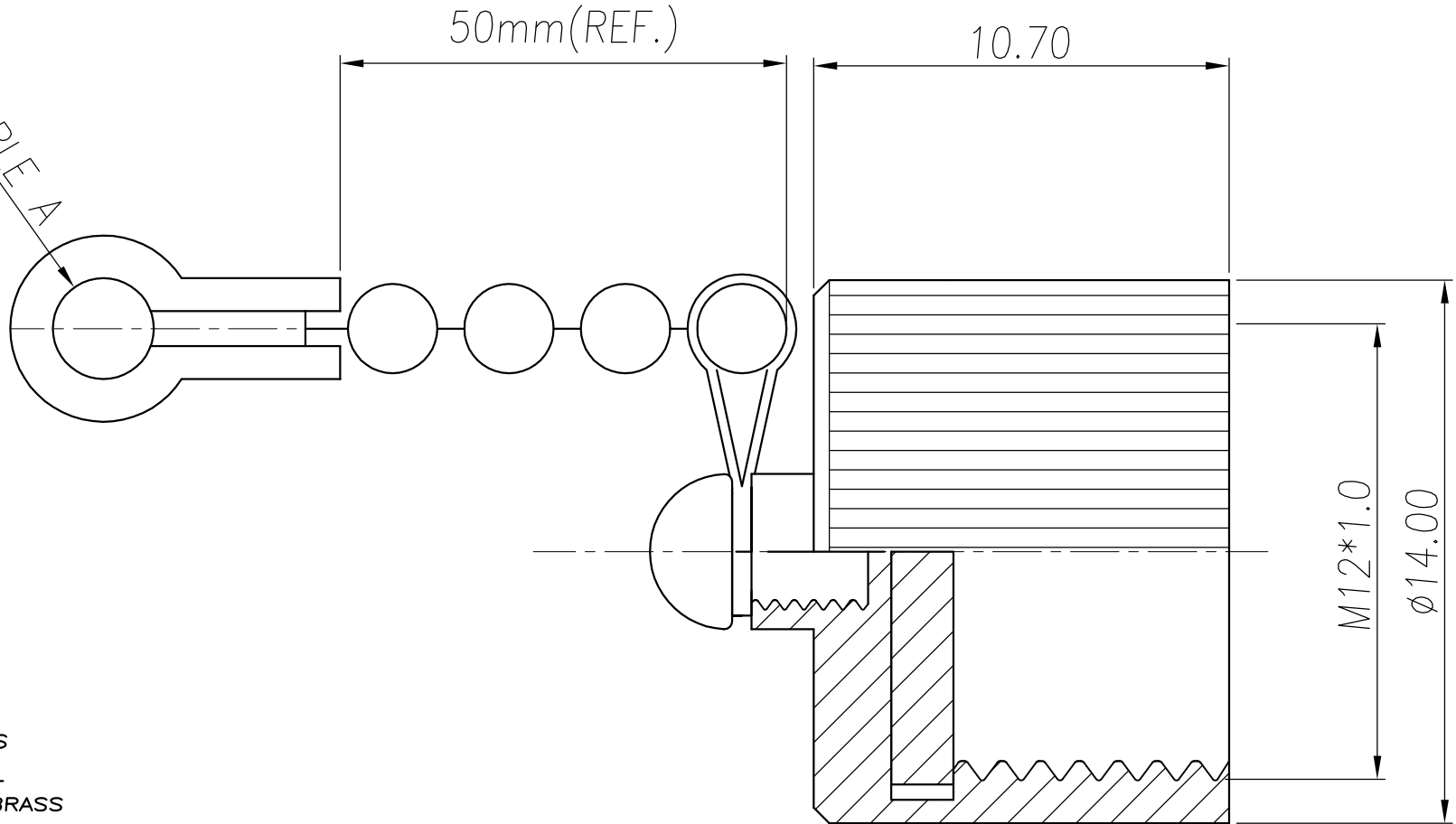


This document is the property of Nian-Yeong Corporation and is delivered on the express condition that it is not to be disclosed, reproduced or used, in whole or in part, for manufacture or sale by anyone other than Nian-Yeong Corporation without its prior consent, and that no right is granted to disclose or to use any information in this document.

CUSTOMER DRAWING

REV.	DESCRIPTION	APPVL. BY	DATE	ECN NO.
A	RELEASE	Fido Weng	22/11/10'	
B	ADD TABLE A	Fido Weng	29/03/18'	

SEE TABLE A



NOTE:

1. MATERIAL :
 - 1-1. COVER : BRASS
 - 1-2. SCERW : STEEL
 - 1-3. SNAP RING : BRASS
 - 1-4. BEAD CHAIN : STEEL
 - 1-5. O-RING : SILICONE ; COLOR : BLACK
2. FINISH :
 - 2-1. COVER : NICKEL PLATED.
 - 2-2. SCREW : NICKEL PLATED.
 - 2-3. SNAP RING : NICKEL PLATED.

TABLE A

NY-WP317	OD=2.4
NY-WP1105-10	OD=3.2

DRAW	Ku Chou	APPVL	Emily Suen	UNIT	mm	TOLERANCE	.x ±0.30 .xx ±0.20 .xxx ±0.100	SCALE	1:1	ANGULA	±2°	TITLE	M12防塵蓋+鏈條(Ø2.4*50mm)	SHEET	1/1		
CHECK	Emily Suen											PART NO.	SEE TABLE A	DWG NO.	QC5104	VERSION	B
 NIAN YEONG ENTERPRISE 年永實業有限公司																	