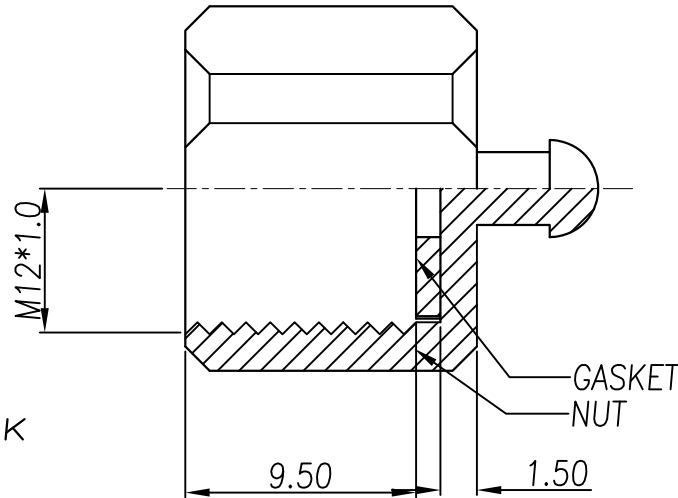
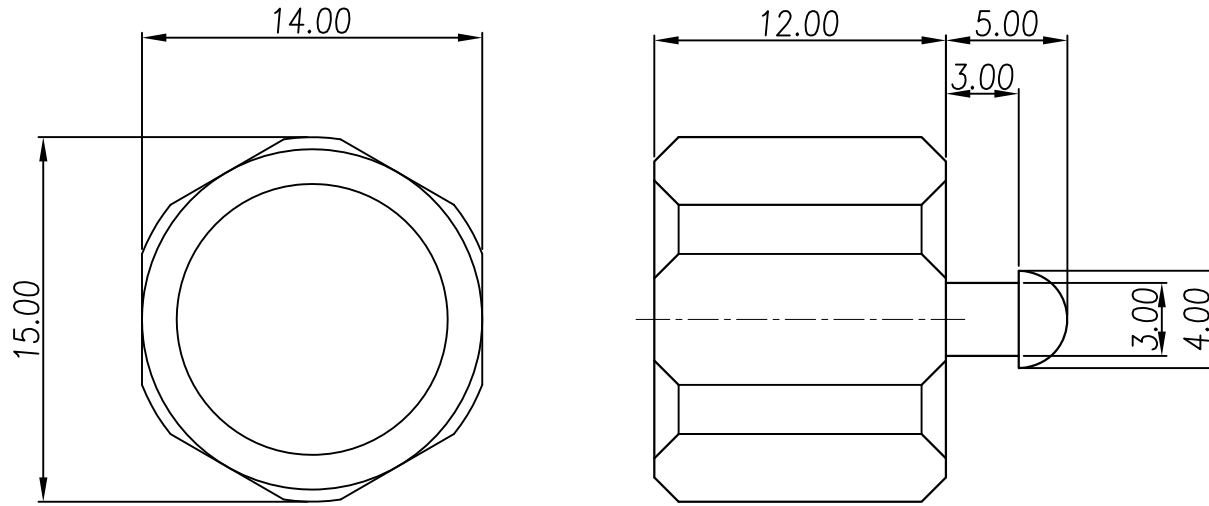


This document is the property of Nian-Yeong Corporation and is delivered on the express condition that it is not to be disclosed, reproduced or used, in whole or in part, for manufacture or sale by anyone other than Nian-Yeong Corporation without its prior consent, and that no right is granted to disclose or to use any information in this document.

CUSTOMER DRAWING

REV.	DESCRIPTION	APPROVED BY	DATE	ECN NO.
A	RELEASE	Fido Weng	15/10/13'	
B				
C				



1. MATERIAL :
  - 1-1. NUT : ALUMINUM
  - 1-2. GASKET : SILICONE ; COLOR : BLACK
2. FINISH :
  - 2-1. NUT : NICKEL PLATED OVER ALL

DRAWN	Jen Xie	APP'D	Fido Weng	UNIT	mm	TOLERANCE	.x ±0.10 .xx ±0.05 .xxx ±0.03 .xxxx ±0.01 ANGULA ±1°	TITLE	M12 六角鋁合金防塵蓋+墊片			SHEET	1/1
CHK'D	Emily Suen	SCALE	1:1	ANGULA	±1°	NIAN YEONG ENTERPRISE 年永實業有限公司		PART NO.	NY-WP582-01	DWG NO.	QC6373	VERSION	A