

This document is the property of Nian-Yeong Corporation and is delivered on the express condition that it is not to be disclosed, reproduced or used, in whole or in part, for manufacture or sale by anyone other than Nian-Yeong Corporation without its prior consent, and that no right is granted to disclose or to use any information in this document.

CUSTOMER DRAWING

REV.	DESCRIPTION	APPROVED BY	DATE	ECN NO.
B	ADD SR & MODIFY ASSEMBLY DRAWING	Fido Weng	17/05/10*	ECN0048
C	ADD PART No.	Fido Weng	03/12/13*	
D	MODIFY DIM	Fido Weng	15/10/18*	
E	ADD PART No.	Yeh Chou	18/10/18*	
F	CHANGE MATERIAL	Yeh Chou	15/09/22*	

1. MATERIAL :

- 1-1. HOUSING : NYLON 66 UL94V-0 ; COLOR : BLACK
- 1-2. CONTACT : BRASS
- 1-3. SHELL A : ZINC ALLOY
- 1-4. SHELL B : BRASS
- 1-5. SHELL C : BRASS
- 1-6. O-RING A : EPDM ; COLOR : BLACK
- 1-7. O-RING B : NBR ; COLOR : BLACK
- 1-8. SPRING : STAINLESS
- 1-9. SCREW : ALLOY STEEL
- 1-10. SR : TPR

2. FINISH :

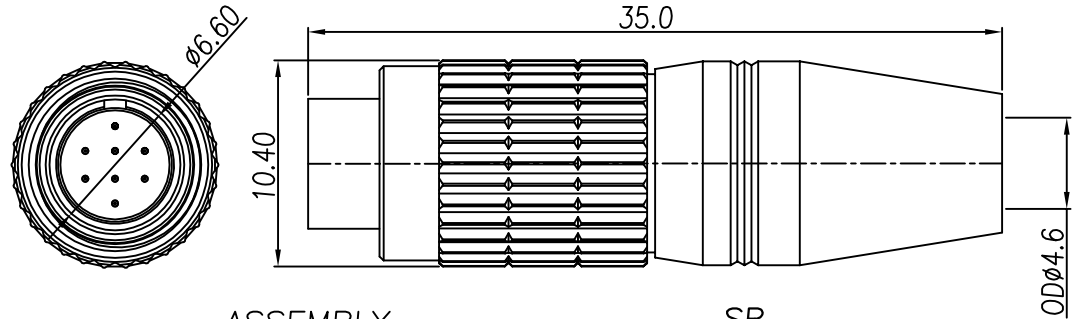
- 2-1. CONTACT A : 10 MICRO INCHES MIN. GOLD PLATED
- 2-2. SHELL A : NICKEL PLATED 60u" ~ 100u" OVER ALL
- 2-3. SHELL B : NICKEL PLATED 60u" ~ 100u" OVER ALL
- 2-3. SHELL C : NICKEL PLATED 60u" ~ 100u" OVER ALL

3. ELECTRICAL SPECIFICATION :

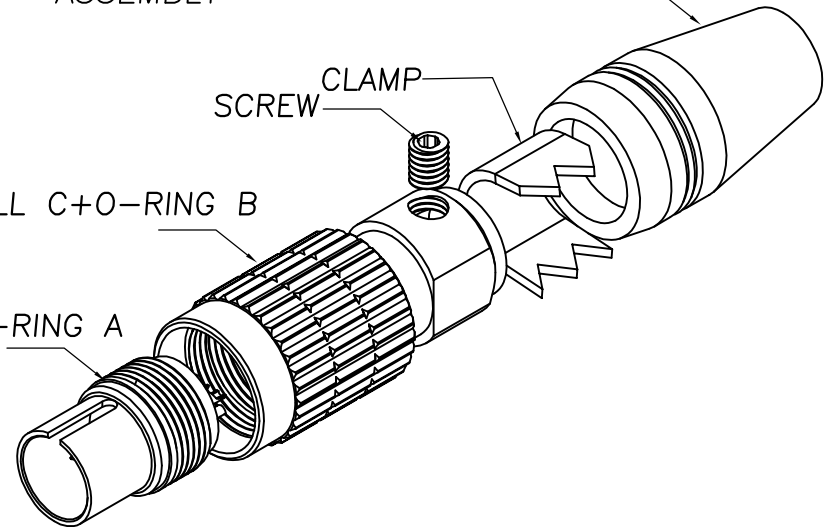
- 3-1. Rated current : 1A
- 3-2. Rated voltage : 30V AC , 42V DC

4. Environmental :

- 4-1. Operation Temperature : -25°C~85°C



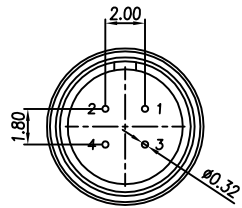
ASSEMBLY



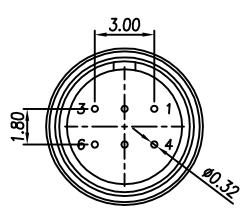
SHELL B+SHELL C+O-RING B

HOUSING+CONTACT+SHELL A+O-RING A

DI-04M2-02(4P)

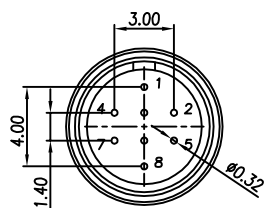


DI-06M2-01(6P)



DI-08M2-04(8P)

DI-08M2-11-11(無耐落) A



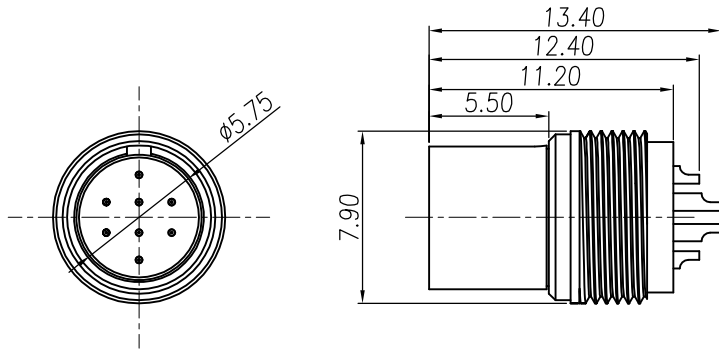
DRAWN	Jen Xie	APP'D	Fido Weng	UNIT	mm	TOLERANCE				TITLE	防水頭 M8*0.5 8PIN(M) 線端			SHEET	1/2
CHK'D	Emily Suen	SCALE	1:1	.x	±0.20	.xx				±0.10	.xxx	±0.05	PART NO.	SEE TABLE	DWG NO.
						.xxxx	±0.03	ANGULA	±1°						

NIAN YEONG ENTERPRISE
年永實業有限公司

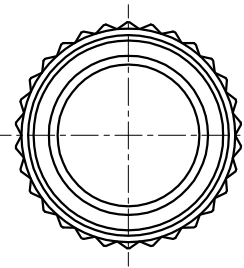
This document is the property of Nian-Yeong Corporation and is delivered on the express condition that it is not to be disclosed, reproduced or used, in whole or in part, for manufacture or sale by anyone other than Nian-Yeong Corporation without its prior consent, and that no right is granted to disclose or to use any information in this document.

CUSTOMER DRAWING

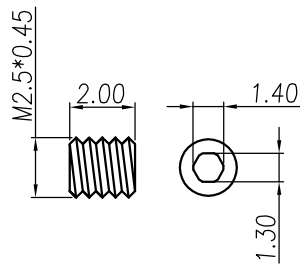
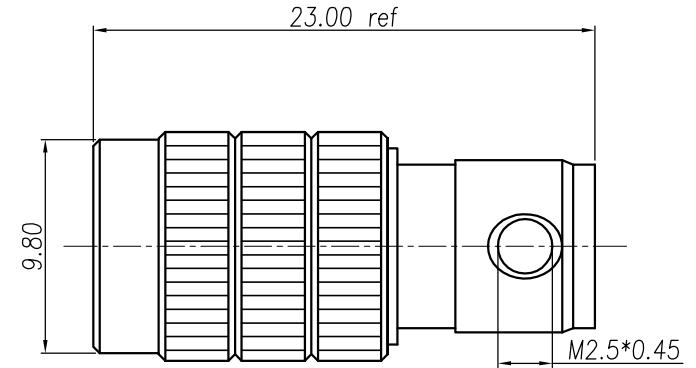
REV.	DESCRIPTION	APPROVED BY	DATE	ECN NO.
A	PRELIMINARY RELEASE	Fido Weng	22/04/10'	
B	ADD SR & MODIFY ASSEMBLY DRAWING	Fido Weng	17/05/10'	ECN0048
C	ADD PART No.	Fido Weng	03/12/13'	
D	MODIFY DIM	Fido Weng	15/10/18'	



HOUSING+CONTACT+SHELL A+O-RING A

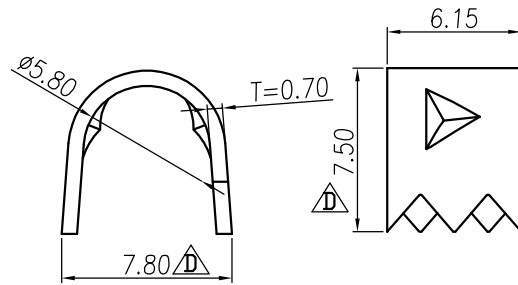


SHELL B+SHELL C+O-RING B

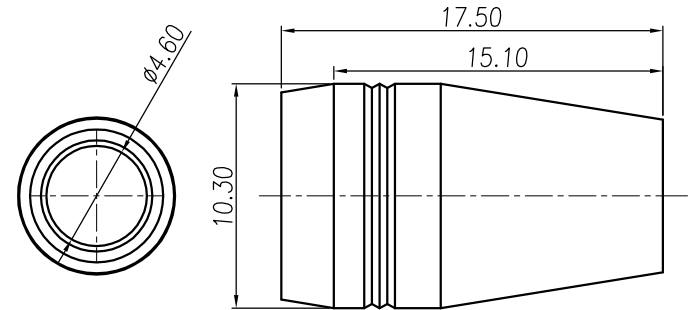


OY-DM0649

SCREW



CLAMP



SR

DRAWN	Jen Xie	APP'D	Fido Weng	UNIT	mm	TOLERANCE		TITLE	防水頭 M8*0.5 8PIN(M) 線端			SHEET	2
CHK'D	Emily Suen			SCALE	1:1	.x ±0.20 .xx ±0.10 .xxx ±0.05 .xxxx ±0.03 ANGULA ±1°		PART NO.	SEE TABLE	DWG NO.	QC4762	VERSION	D

NIAN YEONG ENTERPRISE
年永實業有限公司