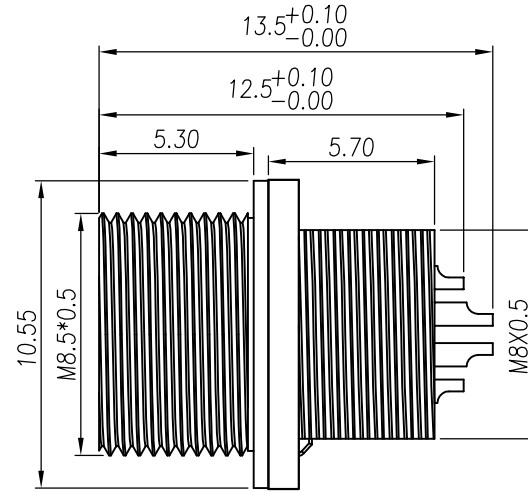
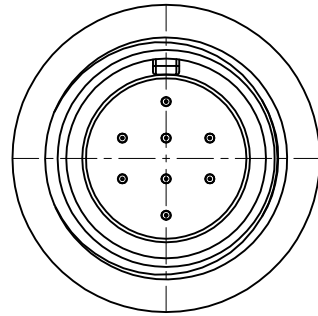


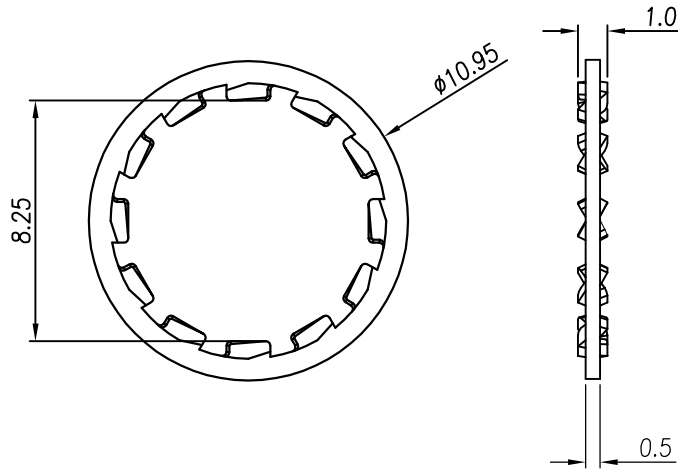
This document is the property of Nian-Yeong Corporation and is delivered on the express condition that it is not to be disclosed, reproduced or used, in whole or in part, for manufacture or sale by anyone other than Nian-Yeong Corporation without its prior consent, and that no right is granted to disclose or to use any information in this document.

CUSTOMER DRAWING

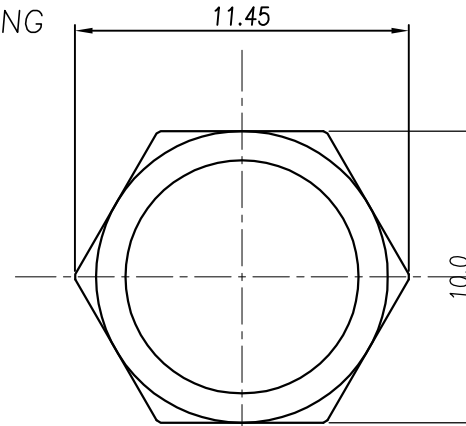
REV.	DESCRIPTION	APPROVED BY	DATE	ECN NO.
A	RELEASE	Fido Weng	04/03/10*	
B				
C				



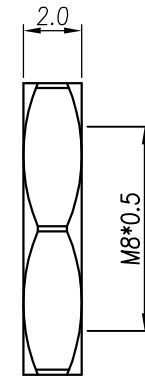
HOUSING+CONTACT+SHELL+O-RING



WASHER



NUT



DRAWN	Jen Xie	APPEND	Emily Suen	UNIT	mm	TOLERANCE		TITLE	防水環 M8*0.5 (M) 鎖板			SHEET	2
CHOKED	Emily Suen			SCALE	1:1	.x ±0.20 .xx ±0.10 .xxx ±0.05 .xxxx ±0.03 ANGULA ±1°		PART NO.	SEE TABLE A	DWG NO.	QC5187	VERSION	A

NIAN YEONG ENTERPRISE
年永實業有限公司