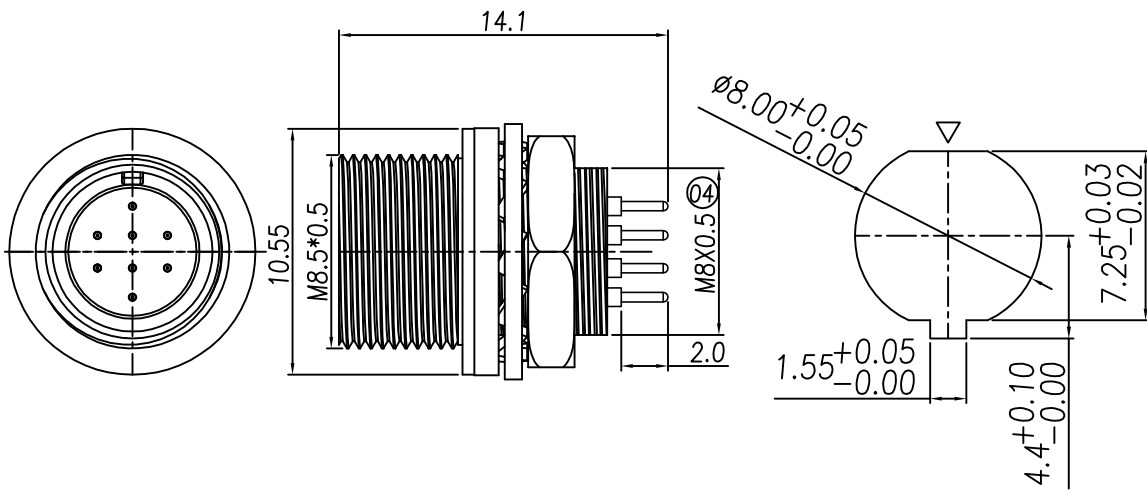


This document is the property of Nian-Yeong Corporation and is delivered on the express condition that it is not to be disclosed, reproduced or used, in whole or in part, for manufacture or sale by anyone other than Nian-Yeong Corporation without its prior consent, and that no right is granted to disclose or to use any information in this document.

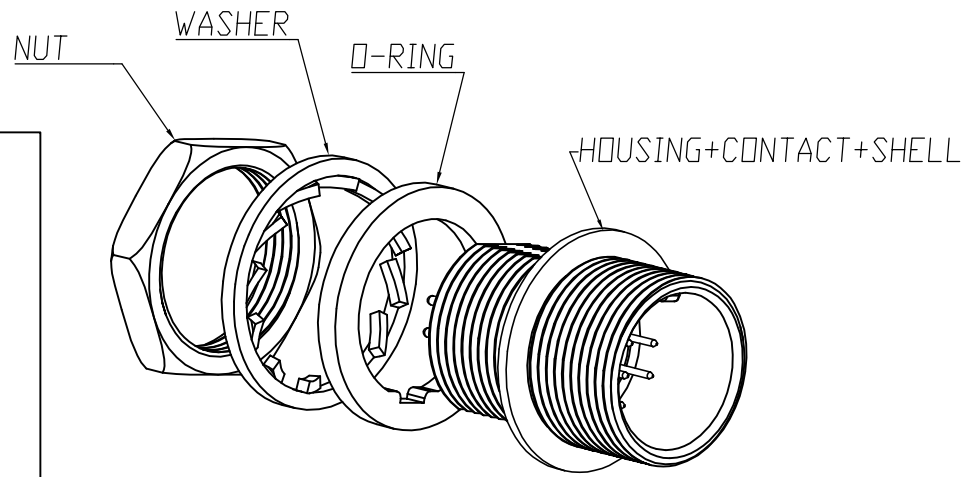
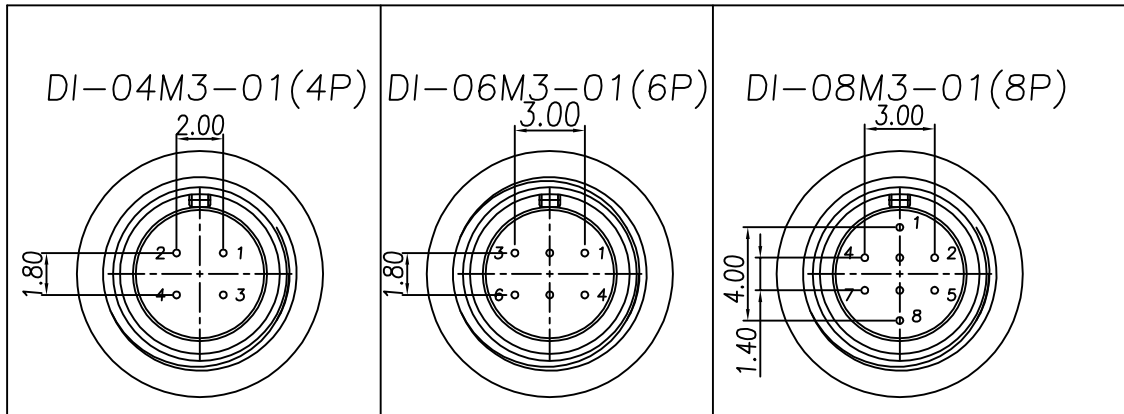
CUSTOMER DRAWING

REV.	DESCRIPTION	APPROVED BY	DATE	ECN NO.
	RELEASE	Emily Suen	30/12/11'	
	CHANGE CONTACT PLATED	Ku Chou	10/06/19	ECN-19006
	CHANGE MATERIAL	Ku Chou	16/09/22'	



- MATERIAL :
 - 1-1. HOUSING : NYLON 66 ; COLOR : BLACK
 - 1-2. CONTACT : BRASS
 - 1-3. SHELL : Zinc Alloy
 - 1-4. O-RING : EPDM ; COLOR : BLACK
 - 1-5. NUT : BRASS
 - 1-6. WASHER : BRASS
- FINISH :
 - 2-1. CONTACT : 10u" MIN. GOLD PLATED
 - UNDER PLATE : NICKEL
 - 2-2. SHELL : NICKEL PLATED .
 - 2-3. NUT : NICKEL PLATED.
- ELECTRICAL SPECIFICATION :
 - 3-1. Rated current : 1A
 - 3-2. Rated voltage : 30V AC , 42V DC
- Environmental :
 - 4-1. Operation Temperature : -25°C~85°C

RECOMMEND PANEL CUT-OUT



DRAWN	Mark Kao	APPEND	Ku Chou	UNIT	mm	TOLERANCE		TITLE	DIN M8*0.5 (M) 插孔式(SHELL:RECEPTACLE)			SHEET	
CHOKED	Emily Suen			SCALE	1:1	.x ±0.20 .xx ±0.10 .xxx ±0.05 .xxxx ±0.03 ANGULA ±1°			PART NO.	SEE TABLE	DWG NO.	QC5639	1/2
								年永實業有限公司					VERSION
													C

